

Condor Spot

12W Security Spot IP65

Features

- Weatherproof IP65 rating
- Three different selectable colour temperatures
- Large terminals for easy installation

Selected Models

- Built and designed for increased reliability
- Up to 20% higher Lumen output compared to previous versions
- 3 year warranty



MECHANICAL

Adjustability	Gimbal
Body Material	Diecast Aluminium
Diffuser Material	Tempered Glass
Product Finish	Powdercoated
Fitting Colour	
CONDOR SPOT-13959	Black
CONDOR SPOT-13960	White
Installation Type	Surface mount
IP Rating	IP65

ELECTRICAL

Electrical Rating	Class I
Input Current	0.12 A
Input Frequency	50 Hz
Input voltage	230Vac
In Australia the Input voltage is defined as 230Vac -6%/+10%. This effectively means that the voltage range of these products are 216Vac - 253Vac or 240V +6%	
Maximum Wattage	12 W
Power Factor	0.5
Working Temp Range	-10 to 40 °C

LAMP

Macadam Steps (SDCM)	6-step MacAdam Ellipse
Beam Angle	90 °
CCT Configuration	TRI-CCT
CRI	>80
LED Type	COB
System Efficiency (L/W)	108

LED LIFETIME

LED Lifetime	50000 hrs
This is the Reported LED Lifetime in Hours based on TM-21. Atom does not list the projected or calculated LED lifetime, which is normally longer as TM-21 Addendum B explicitly states " The Calculated and Projected Lp(Dk) are not to be reported: This Lifetime refers to the life of a single LED however the system life is longer since the probability and binomial distribution of all LEDs in the system means that the average led is performing above the specification and compensates for the LEDs falling below.	
LED Lifetime Rating	L70B10

COLOUR TEMPERATURE

11 Watts	
Warm White (3000)	1100 lm
Cool White (4000)	1300 lm
DayLight (5000)	1250 lm

DRIVER

Dimmable	No
Driver Included	Yes
Integrated Driver	Yes
Driver Mode	Constant Current
Driver Power	12 W
Driver Type	Fixed output
Wiring Type	Re-wireable terminal block (3 pin)

COMPLIANCE

Standards	AS/NZS 60598.1 AS/NZS 60598.2.1 AS/NZS 61347.1 AS/NZS 61347.2.13 AS CISPR 15
------------------	--

WARRANTY

Commercial Use Warranty	3 RTB (Total 3 Years)
Domestic Use Warranty	3 (Yr) RTB
VIP Warranty	2 Onsite, 3 RTB (Total 5 Years)

VIP warranty is available to registered users and is subjected to additional terms and conditions.

DIMENSIONS

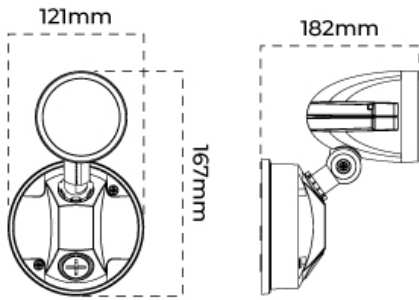
Product Height	167 mm
Product Length	182 mm
Product Weight	505 g
Product Width	121 mm

Ordering Information

Order code	Item Code	Description
13959	CONDOR SPOT-13959	12W Security Spot IP65 Black
13960	CONDOR SPOT-13960	12W Security Spot IP65 White

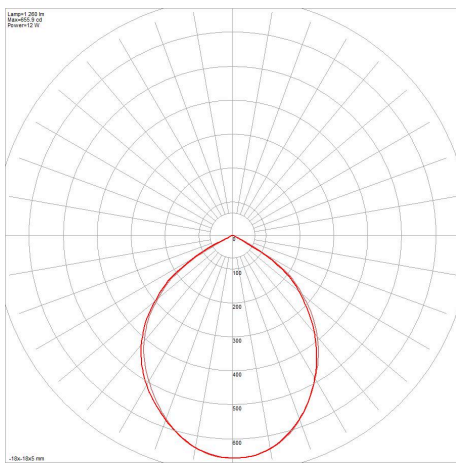
Line Drawings

Condor_spot

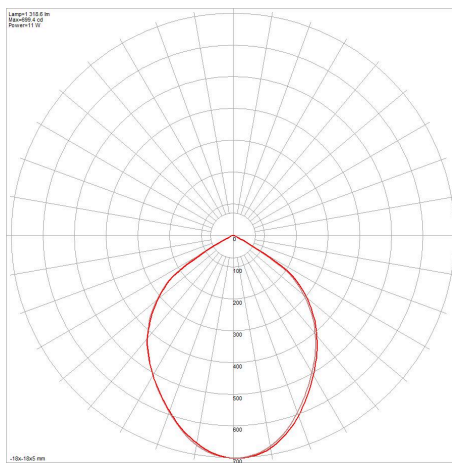


Photometrics

CONDOR SPOT/13959/TRI/5000K



CONDOR SPOT/13959/TRI/4000K



CONDOR SPOT/13959/TRI/3000K