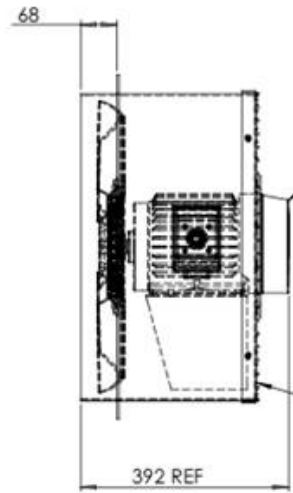
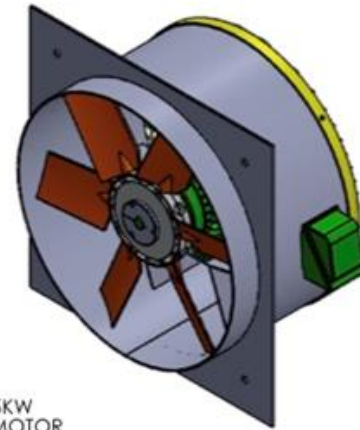


EXTERNAL TERMINAL BOX WITH L.T FITTINGS AND 20MM ANACONDA



TOSHIBA 1.5KW 4 POLE HE MOTOR D90 FRAME

REMOVABLE GUARD



*FINISH: 1 COAT ZP PRIMER
 - CASE RAL7031 ENAMEL
 - GUARD Y14 YELLOW
 - IMPELLER X15 ORANGE

*WEIGHT APPROX 58KG

* THIS DESIGN ONLY SUITABLE FOR TOSHIBA MOTOR

UNLESS OTHERWISE SPECIFIED, DIMENSIONS ARE IN MILLIMETERS		TOLERANCES ARE AS SHOWN UNLESS OTHERWISE SPECIFIED		DO NOT SCALE DRAWING	
SURFACE FINISH: ---		FITTINGS AND HARDWARE TO BE USED AS SHOWN UNLESS OTHERWISE SPECIFIED		REVISION 0; 8/1/19	
TOLERANCES: ---		FINISHES: ---		TWO ANGLE	
LINEAR: ---		CORNER RADIUS: ---		DWS NO. MA02358	
ANGULAR: ---		HOLE AND REAR SHARP EDGES		A4	
DATE	NAME	SIGNATURE	DATE	REVISION/NOTES	SCALE: 1:1
8/1/19	MA	[Signature]	8/1/19	REVISION 0 - ORIGINAL ISSUE	SHEET 1 OF 1
CHK'D:					
APP'D:					
ENG:					
DRAWN BY:					



TECNICAL SPECIFICATION

MOTOR SPECIFICATION

SPECIFICATION NUMBER
18917-SPC-001-R1

Author Andre Oliveira

Job Description	Axial fan	
Motor / Application	Toshiba HE Series - Hight Efficiency	
Frame Size	D90	
Power	1.5 kW	
Rotation	1440 rpm	
Poles	4	
Voltage	415 V	
AC Phases or DC	3 Phases	
Ambient Temperature	40 °C	
Mounting Configuration	B3	
Insulation Class	H	
Protection	IP66	
Frequency	50 Hz	
Shaft Diameter	24k6 x 50	Keyway 8x7x40
Fixation type	Foot Mount	
Weight	32 kg	

NOTES:

- 1- Please supply the motor with extended leads L=400mm
- 2- We don't require blanking plate
- 3- Loose terminal box
- 4- Cooling Impeller AS X15 orange

Standard Mounting Configurations

