

# GALVANISED PANEL AND SURROUND



Photo for Representation Only  
(actual product may vary)

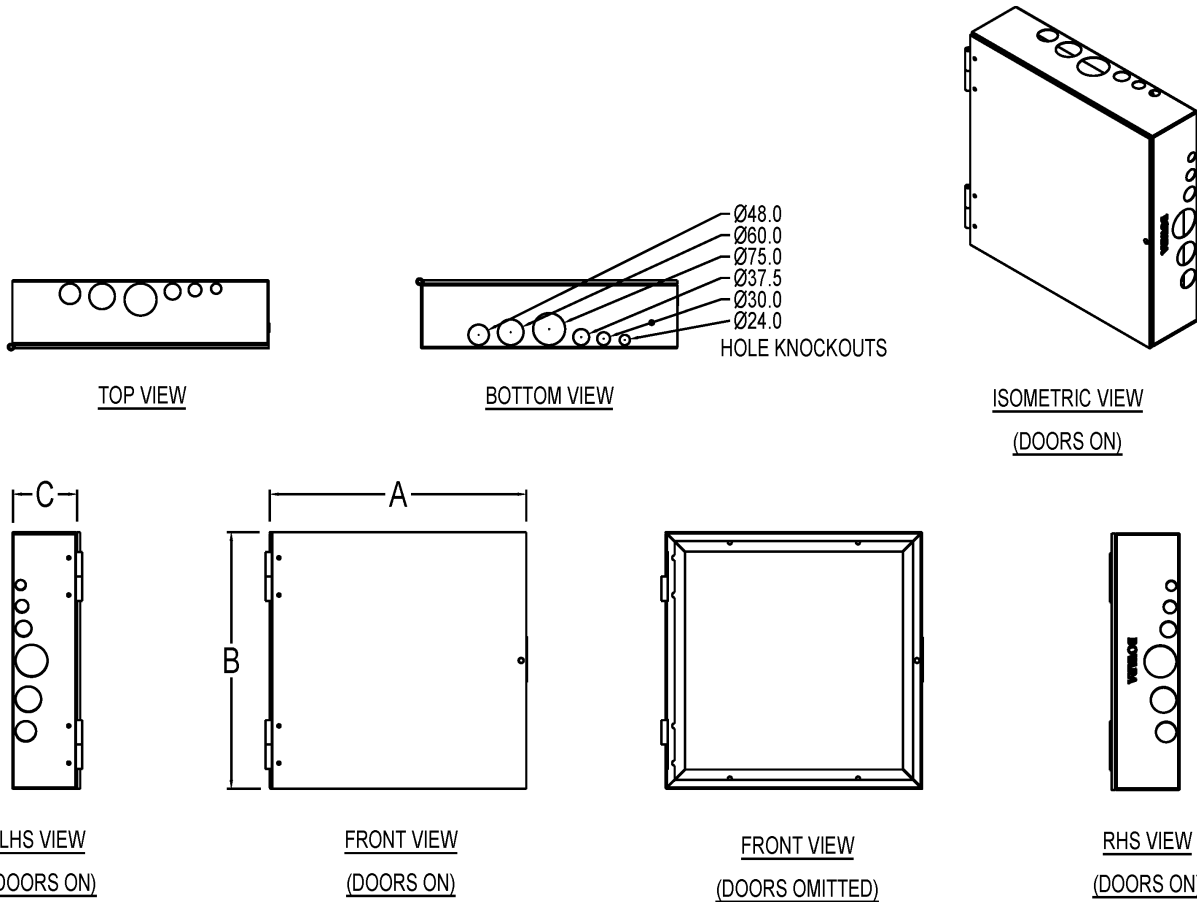
- Test block (CT.TB) sold separately
- IP20 Enclosure, metal construction
- Open back for quick wall mounting.
- Switch panel tested for water absorption, insulation resistance & 960°C glow wire by TUV.
- Cable Entry knock outs all four sides 24-75mm diameter
- Internal M6 Earth Stud included

## Specifications

Category	Enclosures
Sub Category	STD Enclosures
IP Rating	IP20
Mounting	Wall Mounted
Provision for locking	≤ 12mm Hole for Padlock
Cable Entry	All sides
Colour, Body / Housing	Raw finish Galvanised
Compliance	NSW Service Installation Rules AS/NZS 61439.1 & 2

Part No.	Description
PS300	PANEL SURROUND 300X300X100 BLANK SWITCH PANEL
PS400	PANEL SURROUND 400X400X100 BLANK SWITCH PANEL
PS450	PANEL SURROUND 450X450X100 BLANK SWITCH PANEL
PS100	PANEL SURROUND 600X600X100 BLANK SWITCH PANEL
PS100D	PANEL SURROUND 600X600X100 DRILLED SWITCH PANEL
PS150	PANEL SURROUND 600X600X150 BLANK SWITCH PANEL
PS6090	PANEL SURROUND 600X900X100 BLANK SWITCH PANEL
PS60120	PANEL SURROUND 600X1200X100 BLANK SWITCH PANEL
PS900	PANEL SURROUND 900X900X100 BLANK SWITCH PANEL

# GALVANISED PANEL AND SURROUND



\*\*Dimensions in (mm)

Part No.	A	B	C
PS300	300	300	100
PS400	400	400	100
PS450	450	450	100
PS100	600	600	100
① PS100D	600	600	100
PS150	600	600	150
PS6090	600	900	100
PS60120	600	1200	100
PS900	900	900	100

① Switch panel is pre-drilled, suitable for single / 3 phase meter and for test block (CT.TB)