

FLORYN FLA

Exterior Lighting / Flood Light

FLORYN FLA-FLA200G15K



Features

- Die-cast aluminium body
- Low energy consumption
- Rubber supply cable
- Fast turn-on, near zero maintenance
- Adjustable mounting bracket

Applications

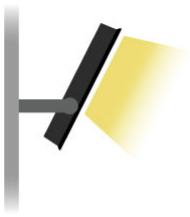
- Plazas
- Courtyards
- Factories, warehouses
- Gardens, parks
- Sporting venues



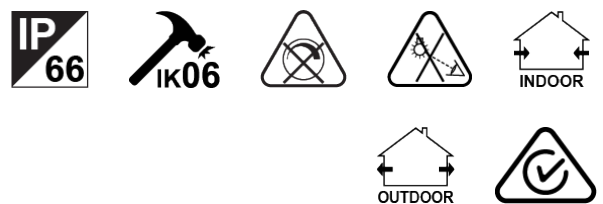
Standards

- Manufactured under ISO 9001:2015 to standards
- IEC/AS/NZS 60598.1
- IEC/AS/NZS 60598.2.5
- IEC/AS/NZS CISPR 15

Mounting Methods



Trunnion



FLORYN FLA

Exterior Lighting / Flood Light



Specifications

Model	FLA200G15K
Nominal Power (W)	200
Input Voltage (V)	220 - 240 VAC 50 / 60 Hz
Luminous Flux (lm)	18300
Efficacy (lm/W)	95
CRI (Ra)	>70
Power Factor	>0.95
CCT (K)	5000
Rated Life L70B50 (hr)	30000
Ambient Temp. ta (°C)	40
Weight (kg)	3.75

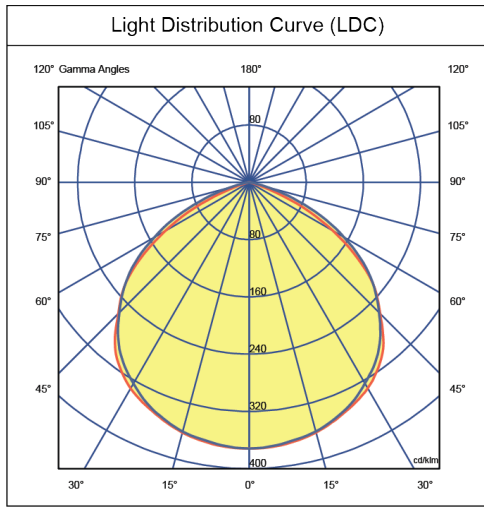
Packaging Details

Model	FLA200G15K
Product Carton Qty per box (pc)	1
Product Carton Dimension (mm)	360 x 53 x 325
Master Carton Qty per box (pc)	4
Master Carton Dimension (mm)	375 x 235 x 350
Master Carton Weight (kg)	17.1

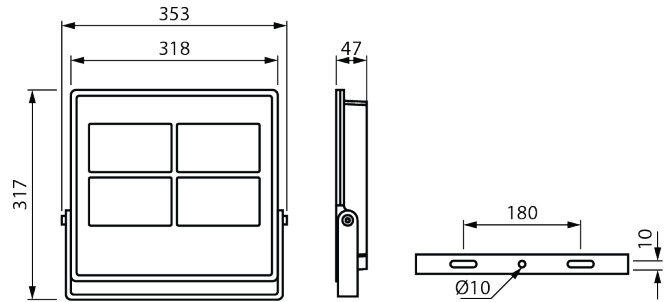
FLORYN FLA

Exterior Lighting / Flood Light

Lighting Data



Dimensions



davislighting.com



davislighting.com.au

All photometric and electrical data published are of $\pm 10\%$ tolerance. Characteristics and specifications may change without notice. All electrical installations / connections should be carried out by a suitably qualified person. Application images are indicative only and may not contain actual Davis product. The information contained in this publication is typical and must not be interpreted as a guarantee of individual product performance.