

Sirius - SRS

Emergency Lighting / Emergency Light

A non-maintained LED emergency evacuation light suitable for ceiling mounting. Sirius comes in a compact, neat and simple design with integral emergency control gear and a long-life Lithium battery offering a 2-hour discharge duration. SRS carries a D63 classification and is compliant to AS/NZS 2293 emergency lighting standards.

Features

- Ceiling mount
- Round lens for general area lighting
- LiFePO4 battery
- 2 hr emergency duration
- Short circuit / over-voltage protection
- Emergency classification C0/C90: D63
- Quick-release tabs for easy assembly and installation
- 3-year warranty (inc. battery)

Applications

- Offices
- Shopping centres, retail outlets
- Healthcare facilities
- Motels, hotels
- Domestic environments

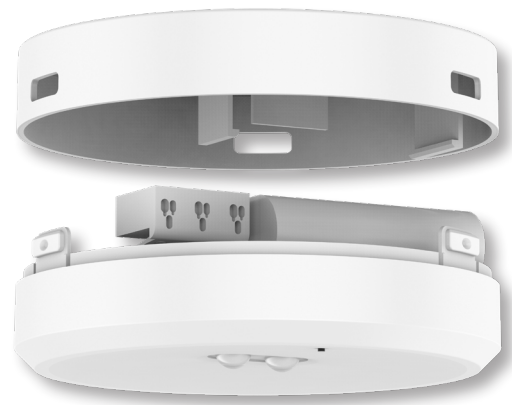
Options

- Auto-test version

Standards

- Manufactured to the following standards:
- IEC/AS/NZS 60598.1
 - IEC/AS/NZS 60598.2.1
 - AS/NZS 2293.3
 - IEC/AS/NZS CISPR 15

Mounting Methods



Sirius - SRS

Emergency Lighting / Emergency Light



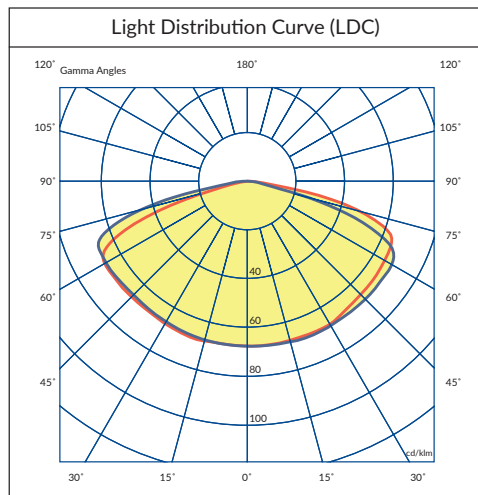
DAVIS LIGHTING

Specifications

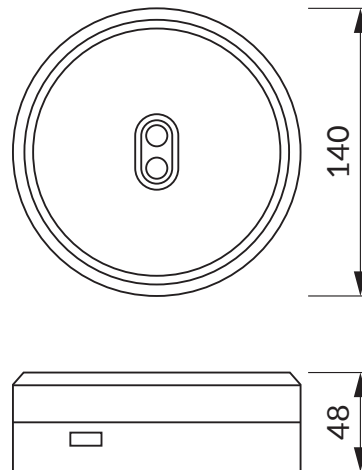
Model	SRS-2LID63
Nominal Power (w)	2.0
Input Voltage	200 - 240 VAC 50 / 60 Hz
Charge Duration (hr)	24
Discharge Duration (hr)	2
Battery	LiFePO4 6.4 V 600 mAh
Luminous Flux (lm)	318
Colour Temp. (K)	5000
CRI	>70
Test Mode	Manual
Classification (C0/C90)	D63
Protection Class	II
Operating Temp. (°C)	0 to +45

(Add "AT" for auto-test model - SRS-2LID63AT. Lead time and minimum order quantity will apply)

Lighting Data



Dimensions



Emergency Classification

Mounting Height (m)		2.1	2.4	2.7	3.0	3.3	3.6	4.0	4.5	5.0	6.0	7.0	8.0	9.0	10.0	15.0	
Classification		spacing between luminaires (m)															
Plane C0	D63	L	11.5	13.2	14.8	16.5	18.1	19.8	22.0	24.5	25.2	26.4	27.3	28.0	28.5	28.8	27.9
Classification		spacing between luminaire & wall (m)															
Plane C0	D63	W	5.75	6.6	7.4	8.25	9.05	9.9	11.0	12.25	12.6	13.2	13.65	14.0	14.25	14.4	13.95

Based on AS/NZS2293.1-2018 (minimum 0.2 lux)



All photometric and electrical data published are of ±10% tolerance. Characteristics and specifications may change without notice. All electrical installations / connections should be carried out by a suitably qualified person. Application images are indicative only and may not contain actual Davis product. The information contained in this publication is typical and must not be interpreted as a guarantee of individual product performance.