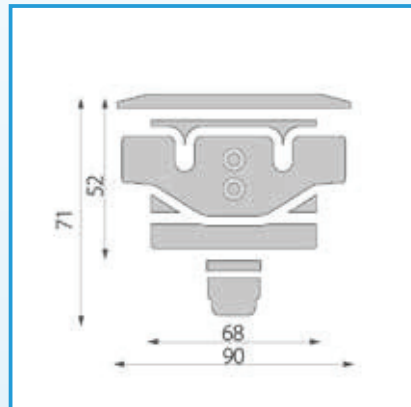
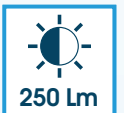
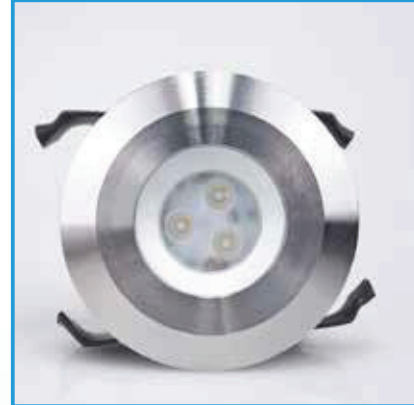


## NEO-G Mini



<b>Material</b>	Stainless Steel 316 Cover, Anodised Aluminium Body, Tempered Glass
<b>Driver</b>	IP68 Driver
<b>Globe Type</b>	Cree LED Chip (Included)
<b>Application</b>	Footpaths, Driveways, Ponds, Decks
<b>CRI</b>	83 Ra
<b>Warranty</b>	3 Year Replacement
<b>Beam Angle</b>	60 Degrees
<b>Lifetime</b>	50,000 Hrs
<b>Carton Quantity</b>	10
<b>Benefits</b>	Linkable 100mm x 90mm Plastic Tubing 3m of Cable
<b>Product Codes</b>	LC5090 NEO Mini-G 5W IP68 LED Ground Light, 60 degree, 3000K

