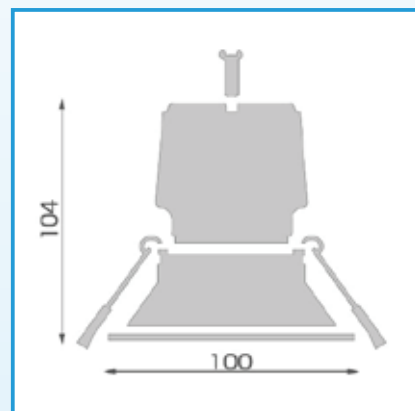


NEO K1.0 Mount Ring



Colour	Matt White Powder Coat
Application	Attaches to NEO LED Downlight Module
Warranty	5 Year Replacement
Width / Diameter	100mm Face dia.
Carton Quantity	50
Benefits	Flexible Screw and Lock Design Deep Recessed Ring, for Anti-glare

Product Codes	LC5002 Mount Ring White K1.0 Round Recessed, Fixed 90mm LC5052 Mount Ring Black K1.0 Round Recessed, Fixed 90mm LC5051 IP44 Glass Cover to Suit Mount Ring
----------------------	--

