

# DURACELL®

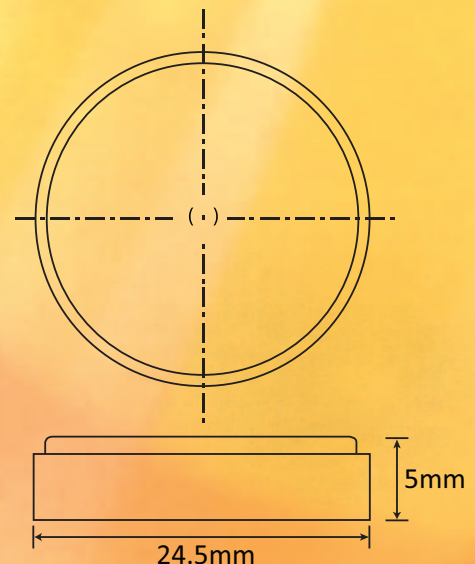
## Lithium/Manganese Dioxide Battery

NEW



### Features

- Industry highest cell capacity & high energy
- High voltage response, stable during most of the lifetime of the application
- Child-safe markings & retail packaging
- Wide operating temperature range (-20°C to +60°C)
- Low self-discharge with long operating life (<1% after 1 year of storage at + 20°C)
- Excellent resistance to corrosion
- Designed to meet all major quality, safety & environment standards



Part No.	Description
DURCR2450	Battery, 3V Lithium 24.5mm Diameter, 5mm High

1300 555 586  
repelec.com.au

rep ELEC  
TRADE SOLUTIONS

f i @RepelecAU  
X v