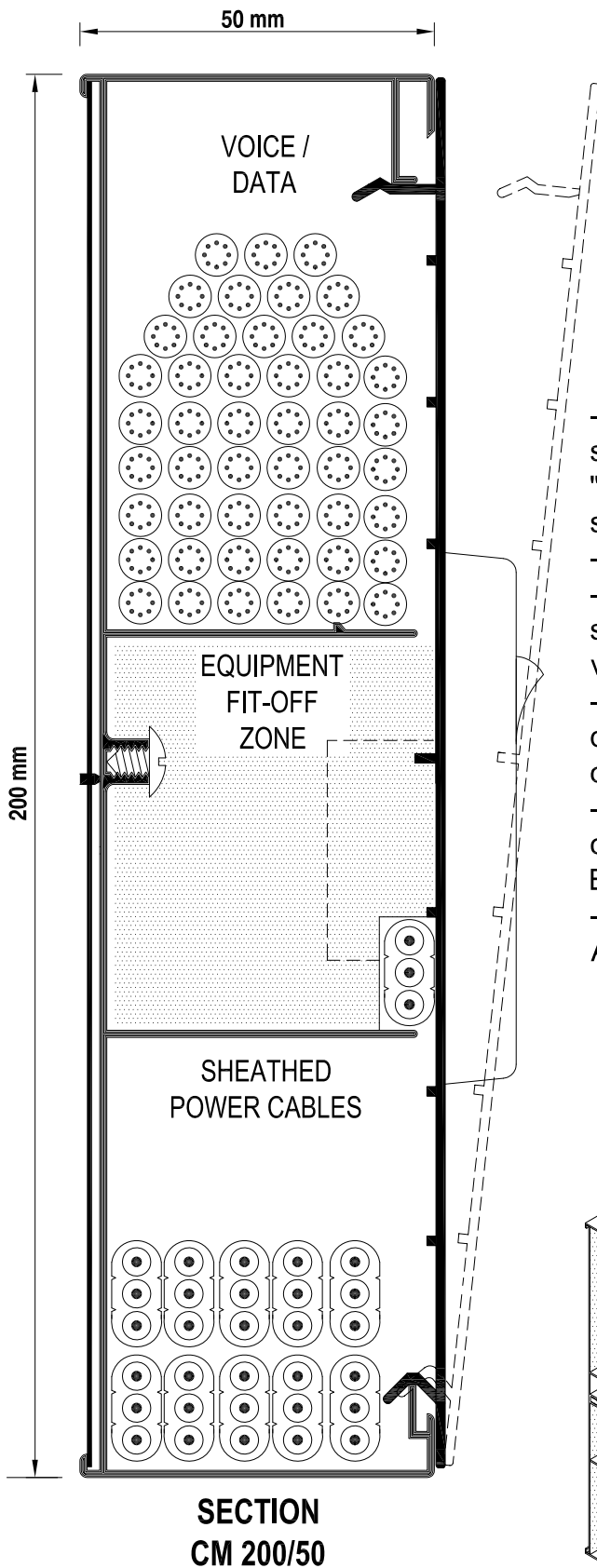


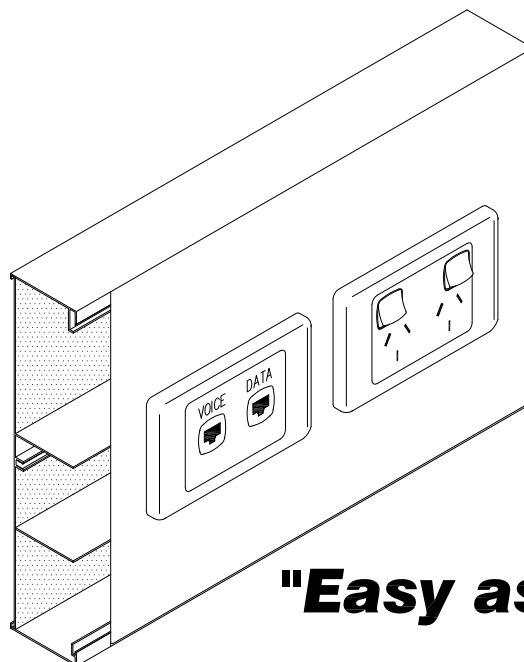
Snap-fit Skirting Duct Lid



At a glance ...

- Size: 200x50mm
- Cover: "Snap-Fit" Aluminium Engages at top Standard Size
- Outlets: "Centre Mount" format
- Stock Colours: Grey, Black, White & Stone Beige
- Suitable for: Category 6 Cabling

- Based on the "Centre Mount" range the "Snap Fit" system utilises an extruded aluminium cover which "Snap-Fits" into position. Ideally suited for use in schools, colleges and universities.
- Suitable for Category 6 data cabling.
- The ECD "Snap-fit" system eliminates the need to screw fix covers and can be mounted horizontally or vertically.
- The "Snap-fit" covers engage at the top edge of the duct, avoiding the problem of floor coverings obstructing the fitting or removal of the cover.
- Duct and covers are powder coat finished. Standard colours are Black, White, APO Grey and Stone Beige. Over 50 non-standard colours are available.
- This product has been examined in accordance with AS 3000 and conforms to A.C.A requirements.



"Easy as ECD"



ESTABLISHED 1979

Electric Cable Duct Systems P/L

8 Clarice Road, Box Hill South, Victoria. 3128 Australia

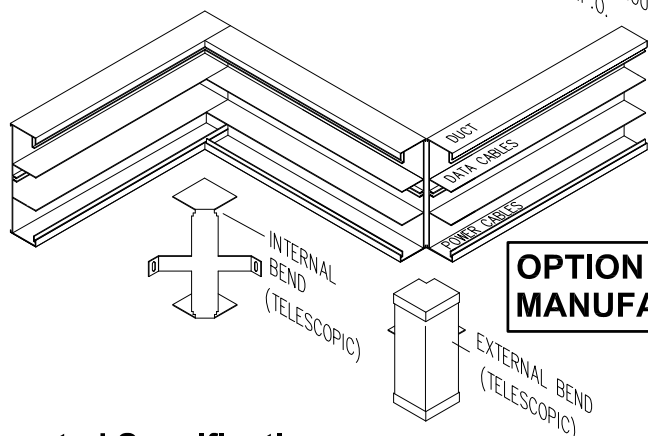
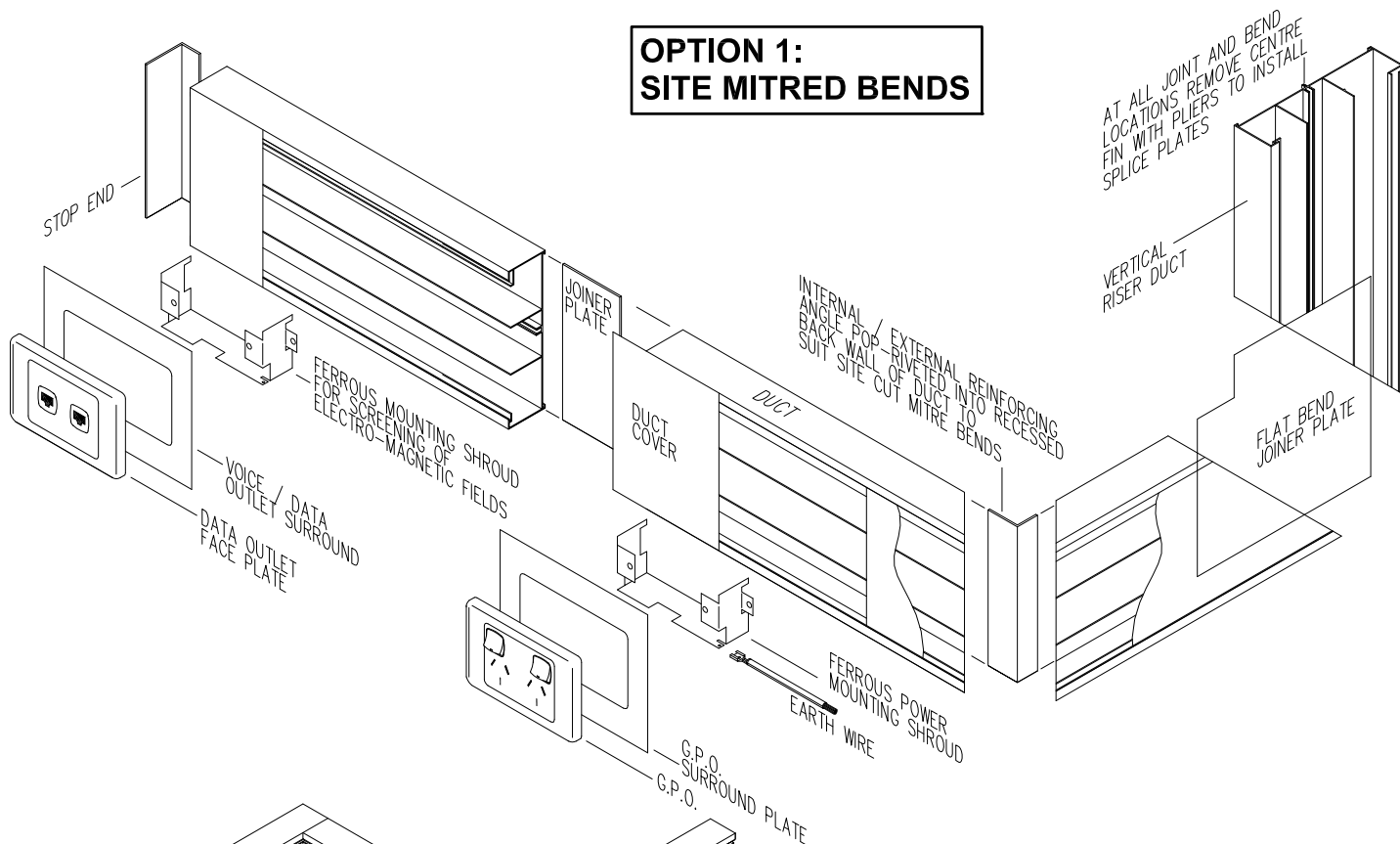
Ph. (03) 9890 6646

Fax. (03) 9899 5042

www.ecd.net.au

Copyright © 2007 Electric Cable Duct Systems Pty. Ltd. ABN 80005544105

OPTION 1: SITE MITRED BENDS



OPTION 2: MANUFACTURED INTERNAL/EXTERNAL BENDS

Suggested Specification:

- The contractor shall allow to supply and install "Electric Cable Duct Systems P/L " CML 200/50 "Centre Mount" skirting duct with "Snap-Fit" extruded aluminium cover (200x50mm) surface mounted or as otherwise nominated and described below.
- The system will reflect the integrated voice/data cabling requirements of Category 5 & 6 and have ferrous mounting shrouds for both power and voice/data outlets. Outlets shall be standard size Clipsal, HPM or PDL Type.
- The body of the duct shall be extruded aluminium pre-treated and powder coated to a standard colour (White, APO Grey, Stone, Beige or Black) or as nominated by the architect. The duct cover shall be extruded aluminium pre-treated, powder coated to match.
- The system shall be earthed in accordance with AS3000 wiring rules and conform to A.C.A requirements.
- Bends shall be site mitred to fine tolerances with concealed reinforcing angles riveted in position or alternatively manufactured internal/external bends. Adjacent lengths of duct body shall be splice joined with slide in joiner plates. Slide in stop ends shall be fitted where necessary.
- Installation shall be performed by experienced duct installers, generally as described on E.C.D "**Recommended Installation Procedure**" leaflet.

Parts List

Description	Part No.	Colour
Duct Body - 3m lengths	CML 200/50	Nominate Colour
Duct Cover - 3m lengths	CML 200 C	Nominate Colour
GPO Mounting Kit only (No GPO)	CML 200/50 K	Nominate Colour
Voice/Data Mounting Kit only (No bakelite supplied)	CML 200/50 VDK	Nominate Colour
Internal Bend	CML 200/50 IB	Nominate Colour
External Bend	CML 200/50 EB	Nominate Colour
Reinforcing Angle (Site mitred bends)	CML 200 RA	N/A
Stop End	CML 200/50 SE	Nominate Colour
Flat Bend Plate	CML 200 FB	N/A
Riser to Skirting Tee	CML 200/50 RT	Nominate Colour
Angled Data Face Plate	VDCAT 6	Nominate Colour