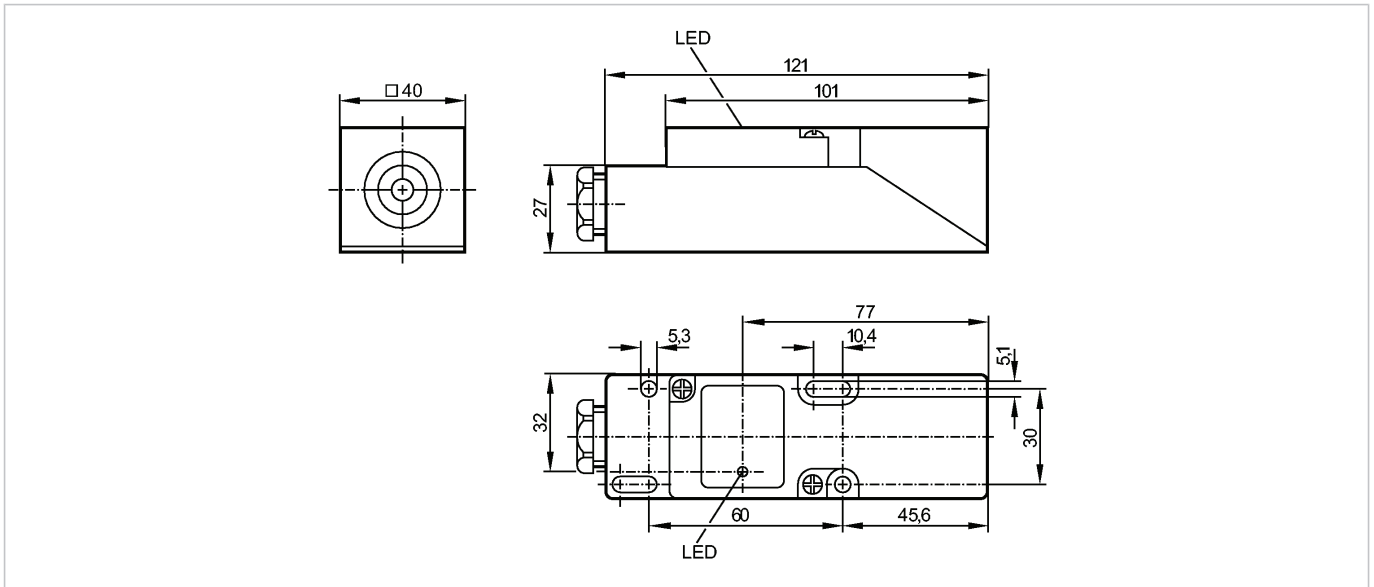


**IM5019**

IME3020-FPKG

Inductive sensors



**Product characteristics**

Inductive sensor

Rectangular, plastics

Terminals

Sensing range 20 mm; [nf] non-flush mountable

**Electrical data**

Electrical design		DC PNP
Operating voltage	[V]	10...36 DC
Current consumption	[mA]	15 (24 V)
Protection class		II
Reverse polarity protection		yes

**Outputs**

Output function		normally open / closed programmable
Voltage drop	[V]	< 2.5
Current rating	[mA]	250
Short-circuit protection		pulsed
Overload protection		yes
Switching frequency	[Hz]	350

**Range**

Sensing range	[mm]	20
Real sensing range (Sr)	[mm]	20 ± 10 %
Operating distance	[mm]	0...16.2

**Accuracy / deviations**

Correction factors		mild steel = 1 / stainless steel approx. 0.7 / brass approx. 0.4 / Al approx. 0.3 / Cu approx. 0.2
Hysteresis	[% of Sr]	1...15
Switch-point drift	[% of Sr]	-10...10

**Environment**

Ambient temperature	[°C]	-25...80
Protection		IP 65

**IM5019**

IME3020-FPKG

**Inductive sensors**

**Tests / approvals**

EMC		EN 60947-5-2
MTTF	[Years]	1727

**Mechanical data**

Mounting		non-flush mountable
Housing materials		PPE
Weight	[kg]	0.186

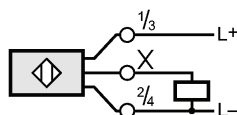
**Displays / operating elements**

Output status indication	LED	yellow
--------------------------	-----	--------

**Electrical connection**

Connection	terminals up to 2.5 mm <sup>2</sup> ; cable diameter 7...13 mm, cable gland M20 x 1.5	
------------	---	--

**Wiring**



**Remarks**

Pack quantity	[piece]	1
---------------	---------	---