

### PRODUCT DETAILS

EzyStrut mild steel framing components are manufactured from merchant bar to AS/NZS3679.1 and galvanised to AS/NZS4680, ISO1461. Most components can also be manufactured in stainless steel from bar to AS1449, AS2837

### Material Specification (unless noted)

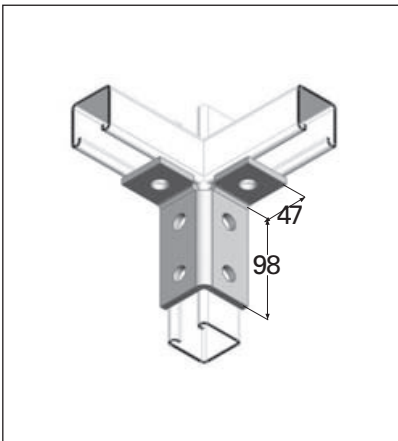
Width 40mm  
 Thickness 6mm  
 Hole Diameter 14mm  
 Hole Spacing 20.5mm from end, 47.5mm on centres

### ORDERING DETAILS

Sold Individually

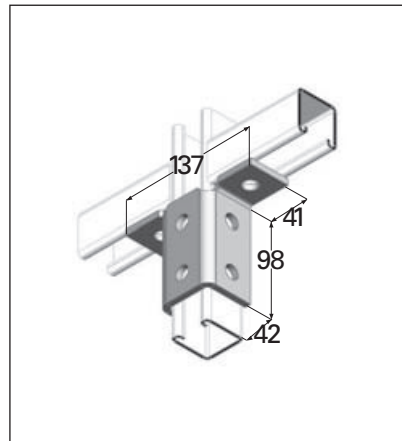
Available finish:

- H** – Hot dip galvanised
- S** – Stainless Steel



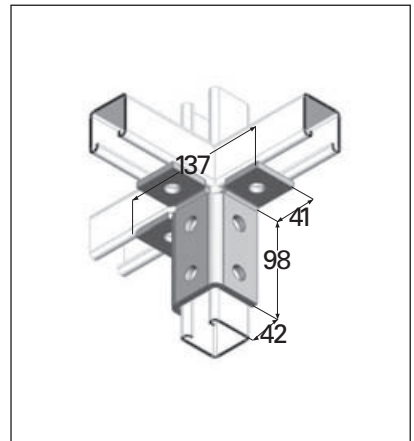
**E2224**

Wt: 0.49 kg



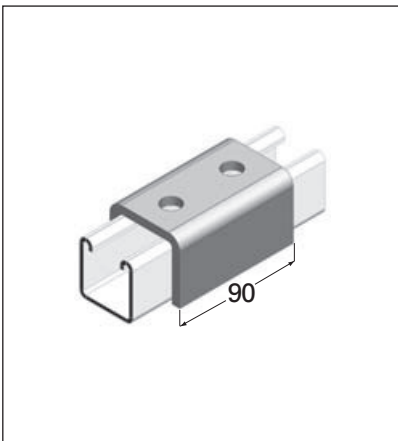
**E2346**

Wt: 0.73 kg



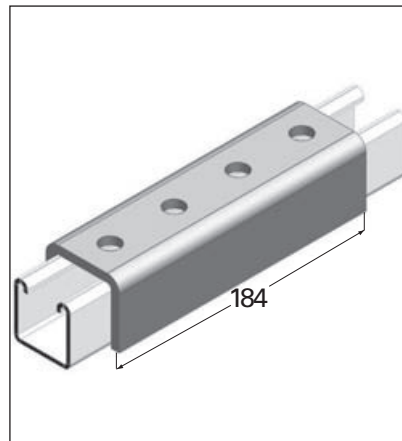
**E2228**

Wt: 0.65 kg



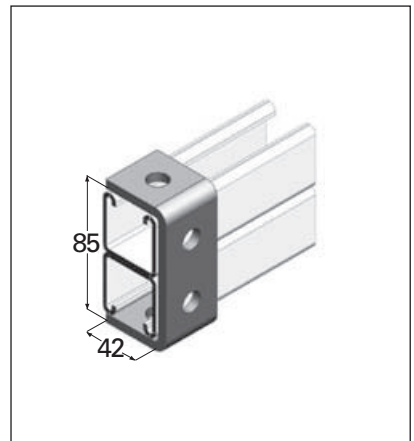
**E1376**

Wt: 0.57 kg



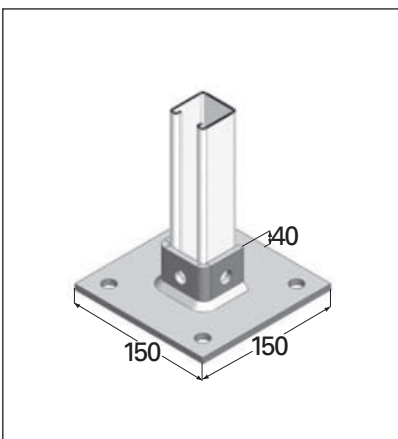
**E1377**

Wt: 1.09 kg



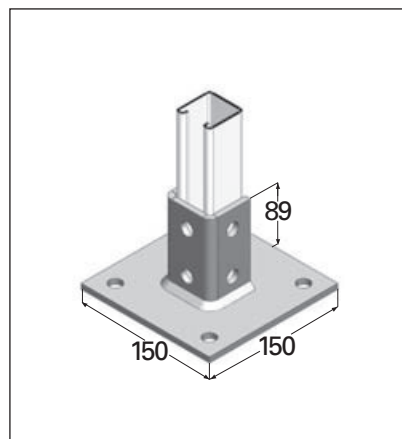
**E1044**

Wt: 0.30 kg



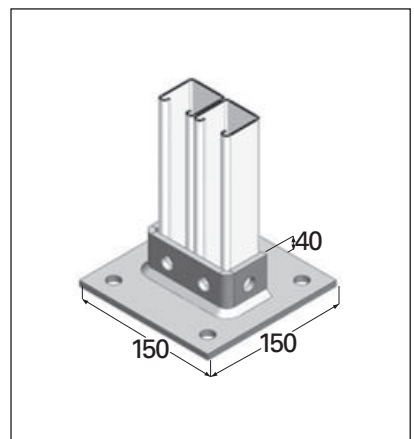
**E2072**

Wt: 1.27 kg



**E2072A**

Wt: 1.50 kg



**E2073**

Wt: 1.34 kg