

PRODUCT DETAILS

EzyStrut mild steel framing components are manufactured from merchant bar to AS/NZS 3679.1 and galvanised to AS/NZS 4680, ISO1461.

Most components can also be manufactured in stainless steel from bar to AS1449, AS2837.

Material Specification (unless noted)

Width 40mm
 Thickness 6mm
 Hole Diameter 14mm
 Hole spacing 20.5mm from end, 47.5mm on centres

Dimensions are all external measurements.

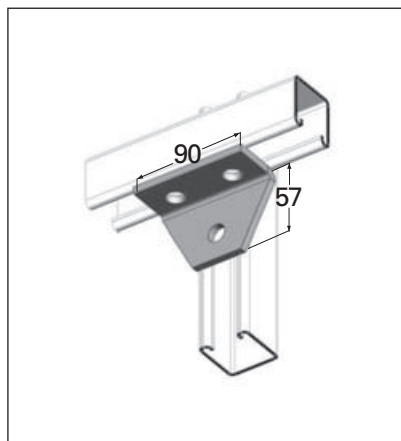
ORDERING DETAILS

Sold Individually

Available finish:

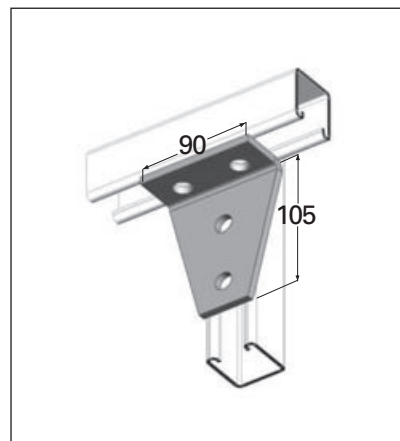
- H** – Hot dip galvanised
- S** – Stainless Steel

Stainless Steel fittings are manufactured against firm orders only



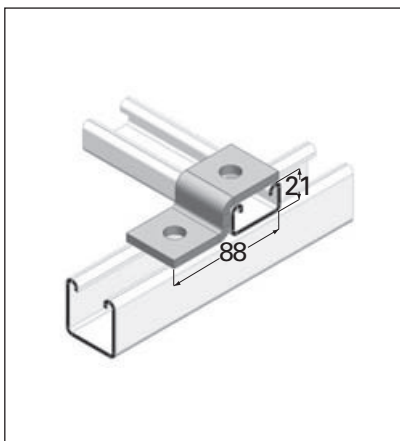
E1357

Wt: 0.25 kg



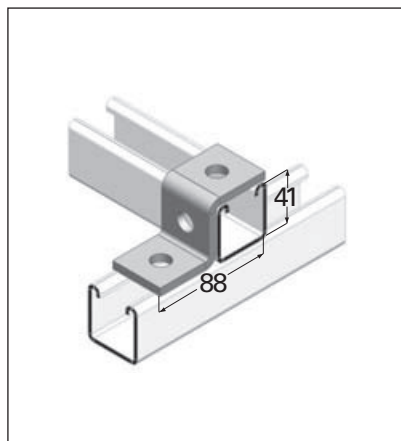
E1359

Wt: 0.44 kg



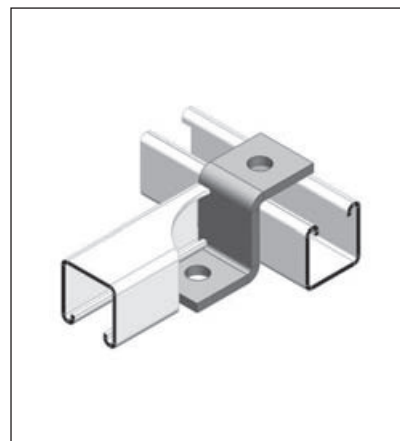
E4045

Wt: 0.19 kg



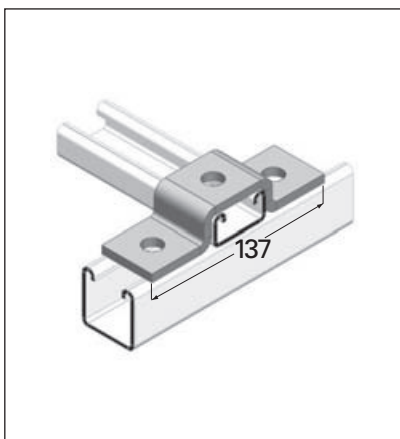
E1045

Wt: 0.21 kg



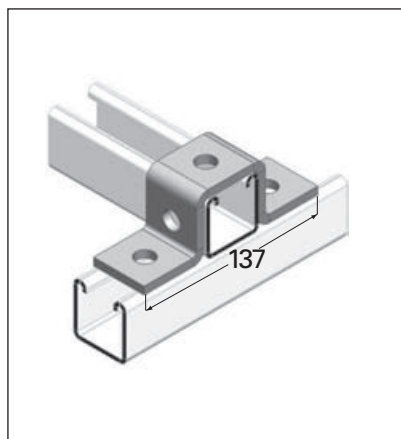
E1347

Wt: 0.22 kg



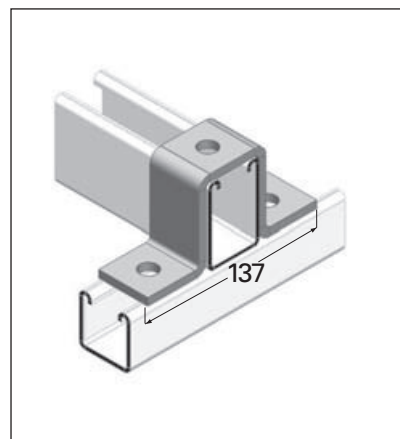
E4047

Wt: 0.30 kg



E1047

Wt: 0.33 kg



E5547

Wt: 0.42 kg