

## Short Case Series – SCE314

Location

Project

Designation

Notes



### Features

The Short Case Axial Series of fans is designed for duct mounting. The fans are suitable for a wide range of applications.

#### Construction

Galvanised steel coated with polyester epoxy finish as standard. Impellers are of injection moulded glass-reinforced plastic. Aluminium blades are an optional extra.

#### Motors

Type - squirrel cage induction motor.  
Electricity supply - 220-240V single or 415V three-phase, 50Hz.  
Bearings - sealed-for-life ball.  
Speed-controllable using electronic controllers or auto transformers.  
Enclosure IP55.

#### Internal Thermal Protection

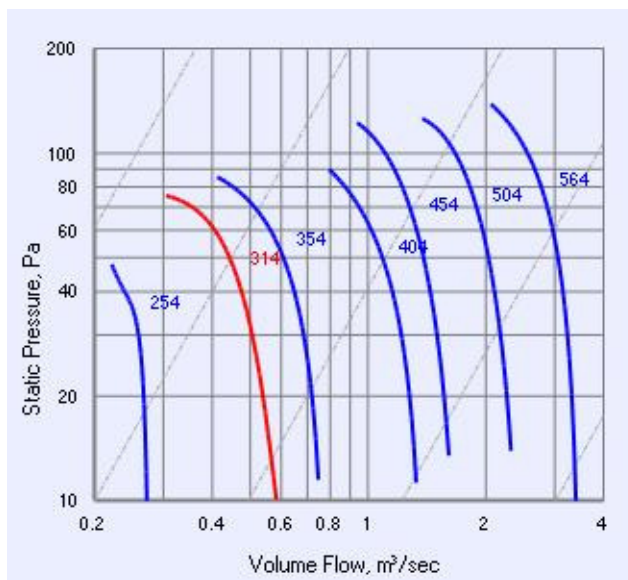
Manual reset protection is supplied as standard in these units.

#### Testing

Air flow tests to BS848:Part 1, 1980.  
Noise tests BS848:Part 2, 1985.

#### Special Features

Can be mounted at any angle.  
Can operate in ambients from -20°C up to 70°C, or maximum of 50°C when being speed controlled.  
Most three-phase external rotor motors are 2-speed star/delta design.  
An electrical junction box is fitted as standard.



### Technical Data - SCE314

Speed [rps]	Avg. dBA @ 3m	kWatts (Input)	Amps	Max.° C	Approx. Weight [kg]
22	42	0.09	0.9	40	8.5

### Sound Data

Type	63	125	250	500	1K	2K	4K	8K
Inlet	64	63	60	60	58	55	51	46

## Short Case Series – SCE314

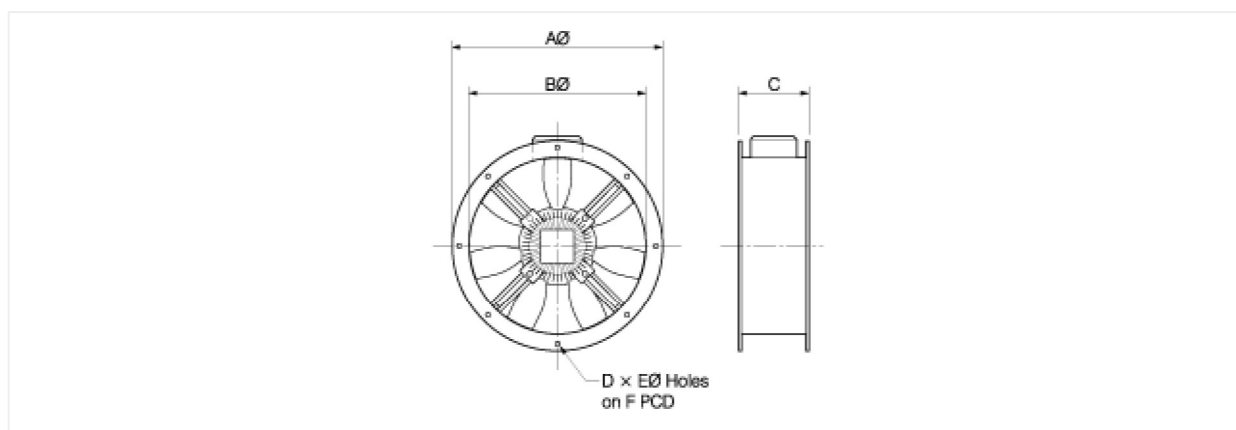
### Suggested Specification

The Short Case Axial Series of fans shall be as supplied by Fantech Pty Ltd. The axial impellers shall be of GRP and driven by single-phase speed-controllable or three phase motors with integral thermal protection.

Cases shall be of galvanised construction with a polyester epoxy finish.

All models shall be fully tested to BS848:Part 1, 1980 for air flow and to BS848:Part 2, 1985 for noise.

### Dimensions



A	B	C	D	E	F
382	315	180	8	9.5	356

All dimensions in mm, unless otherwise stated

### Contacts



#### OFFICES & AGENTS

##### Victoria

Fantech Pty. Ltd.  
Tel:+61 (03) 9554-7845

##### New South Wales

Fantech Pty. Ltd.  
Tel:+61 (02) 8811-0400

##### Uniair Distributors Pty. Ltd.

Tel:+61 (02) 4961-6088  
**Refrigeration and Air Supplies**  
Tel:+61 (02) 4226-5133  
Fantech Pty. Ltd.  
Tel:+61 (02) 6025-1866

##### South Australia

Fantech Pty. Ltd.  
Tel:+61 (08) 8294-0530

##### Queensland

**Air Design Pty. Ltd.**  
Tel:+61 (07) 3299-9888  
**Capricorn Air Conditioning**  
Tel:+61 (07) 4775-5222

##### Northern Territory

Fantech Pty. Ltd.  
Tel:+61 (08) 8947-0447

##### Western Australia

Systemaire Pty. Ltd.  
Tel:+61 (08) 9209-4999

##### Tasmania

**Major Air Pty. Ltd.**  
Tel:+61 (03) 6344-6888  
**Hobart**  
Tel:+61 (03) 62736455

##### ACT

**Idealair Group Pty. Ltd.**  
Tel:+61 (02) 6280-5511

##### Auckland

Fantech (NZ) Ltd.  
Tel:+64 (09) 444-6266

##### Christchurch

Fantech (NZ) Ltd.  
Tel:+64 (03) 379-8622

##### Wellington

Fantech (NZ) Ltd.  
Tel:+64 (04) 566-0532