

Catalogue No: **26.01 24 V AC**

STEP RELAY 10A 1NO 24VAC COIL

Timers and Control Relays > General Purpose Relays > Electromechanical Relays > Finder Electromechanical Relays > Step Relays > 26 Series Step Relays



Representative Photo Only
(actual product may vary based on configuration selections)

Step Relay 10A 1 N/O 24V AC Coil

- Complete range from PCB to power relays to cover all of your switching requirements
- International certifications and approvals including CE, CSA, EAC, PCT, RINA, VDE and RoHS, providing quality assurance of a market leading product
- Compact construction allowing for most efficient use of your space

SPECIFICATIONS

Component Type	Timers and Control relays	Relay
Contact Configuration		1 NO
In, Rated Current		10 A
Icw, Short Time Withstand Current, 10ms (rms)		20 A, 10ms
Un, Nominal Operational Voltage, AC		250 V AC
Ue, Rated Operational Voltage, AC, max		400 V AC
Rated Load, AC-1		2500 VA
Rated Load, AC-15		500 VA
Coil Type		AC
Coil Voltage, AC, Nom		24 V AC
Coil Voltage, AC, Min		19.2 V AC
Coil Voltage, AC, Max		26.4 V AC
Material, Contacts		Silver Nickel (AgNi) material
Mechanical service life		300000 cycles
Electrical Service Life at Un, In		100000 cycles
IP Rating		IP20
Insulation Voltage, between Coil & Contacts		4000 V
Dielectric Strength, between open Contacts		2000 V AC
Mounting		Panel Mount
Operating Temperature, min		-40 °C min
Operating Temperature, Max		40 °C max
Height		46.6 mm
Width		39.6 mm
Depth		22 mm
Certifications		CE EAC GOST-R IMQ

Catalogue No: **26.01 24 V AC**

STEP RELAY 10A 1NO 24VAC COIL

Timers and Control Relays > General Purpose Relays > Electromechanical Relays > Finder Electromechanical Relays > Step Relays > 26 Series Step Relays



REFERENCES

IECEX Certificate -

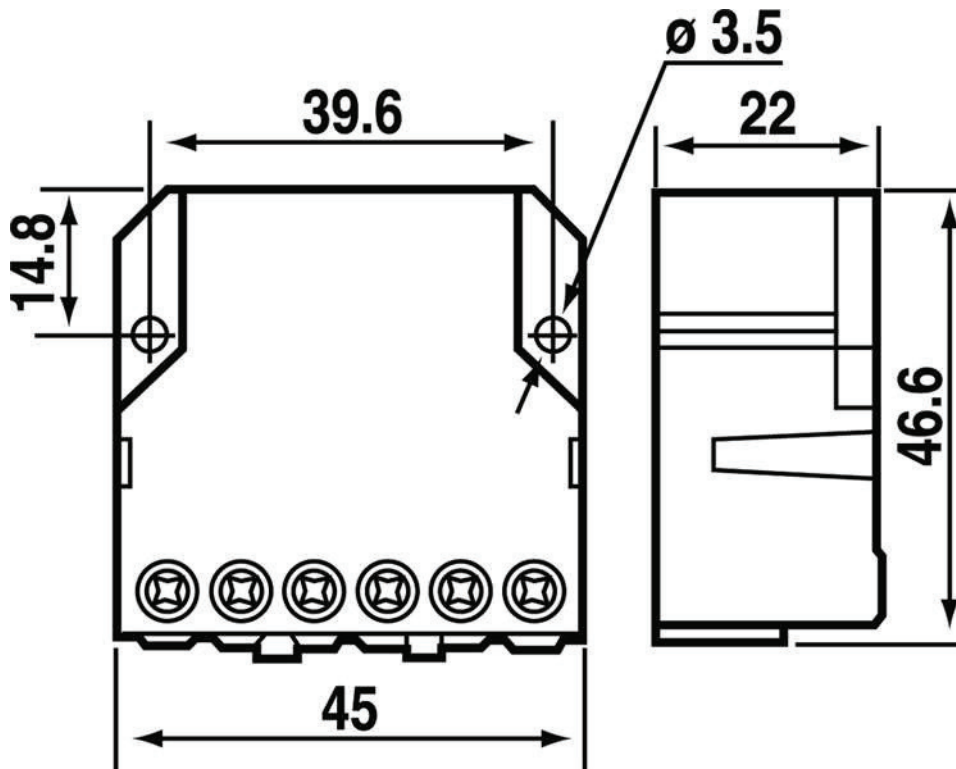
Supplier Declaration of Conformity: -

Installation Guide: -

User Manual: -

Manufacturer Datasheet: -

Manufacturer Catalogue & Product Selection: -

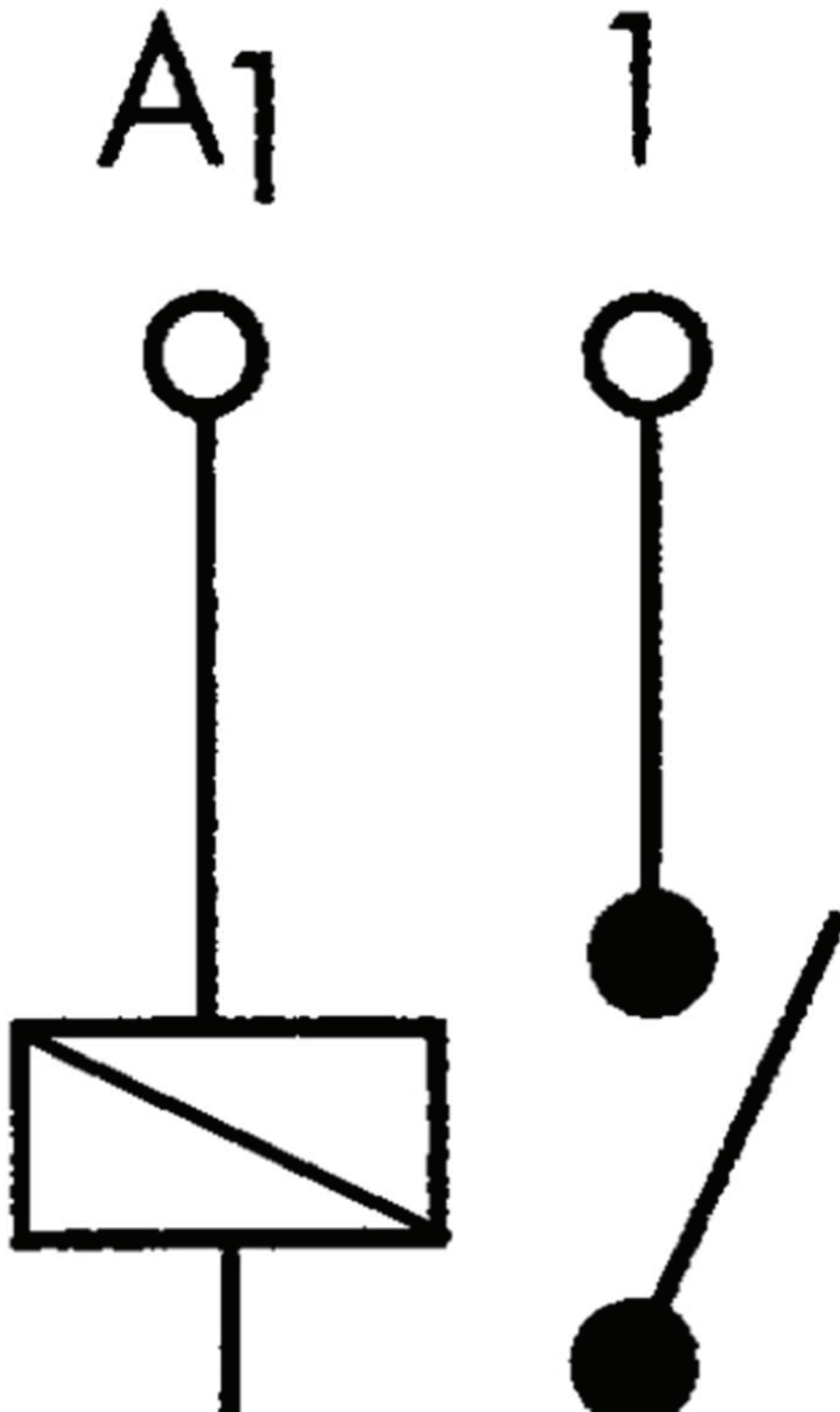


Dimension Diagram

Catalogue No: **26.01 24 V AC**

STEP RELAY 10A 1NO 24VAC COIL

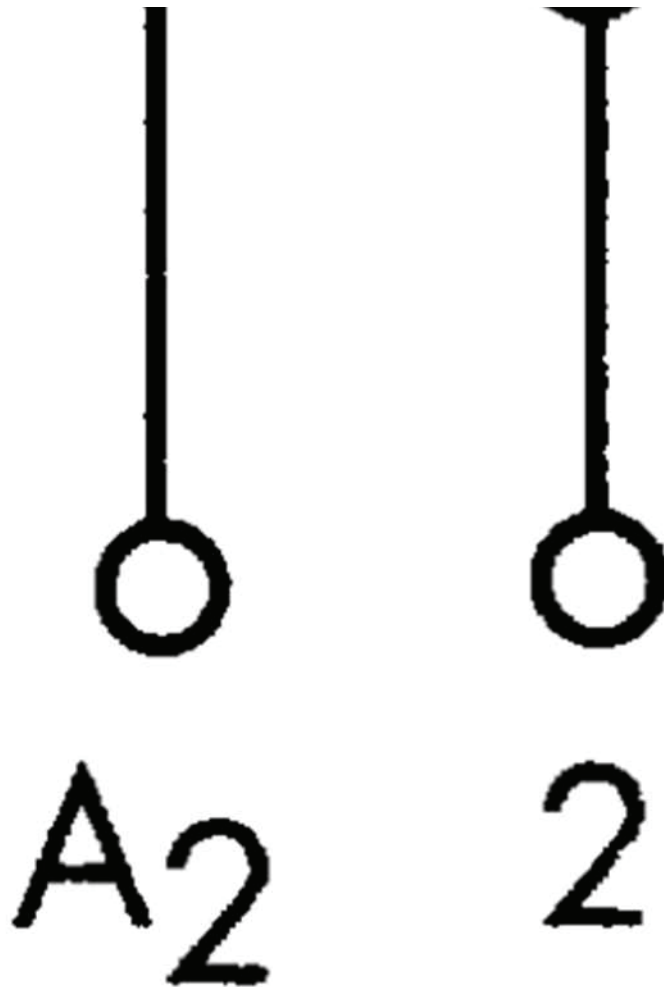
Timers and Control Relays > General Purpose Relays > Electromechanical Relays > Finder Electromechanical Relays > Step Relays > 26 Series Step Relays



Catalogue No: **26.01 24 V AC**

STEP RELAY 10A 1NO 24VAC COIL

Timers and Control Relays > General Purpose Relays > Electromechanical Relays > Finder Electromechanical Relays > Step Relays > 26 Series Step Relays



Connection / Wiring Diagram