



Representative Photo Only
(actual product may vary based on configuration selections)

POWER RELAY FLANGE 16A 2CO 24VAC COIL W/PB+MI

- Complete range from PCB to power relays to cover all of your switching requirements
- International certifications and approvals including CE, CSA, EAC, PCT, RINA, VDE and RoHS, providing quality assurance of a market leading product
- Compact construction allowing for most efficient use of your space

SPECIFICATIONS

Component Type	Timers and Control relays	Relay
Contact Configuration		2 CO
In, Rated Current		16 A
Icw, Short Time Withstand Current, 10ms (rms)		30 A, 10ms
Un, Nominal Operational Voltage, AC		250 V AC
Ue, Rated Operational Voltage, AC, max		400 V AC
Contact Breaking Capacity, DC1, 30V		16 A
Contact Breaking Capacity, DC1, 110V		0.6 A
Contact Breaking Capacity, DC1, 220V		0.4 A
Rated Load, AC-1		4000 VA
Rated Load, AC-15		750 VA
Contact Rated Power, Single Phase Motor, 230V AC		0.8 kW
Coil Type		AC
Coil Voltage, AC, Nom		24 V AC
Coil Voltage, AC, Min		19.2 V AC
Coil Voltage, AC, Max		26.4 V AC
Material, Contacts		Silver Cadmium Oxide (AgCdO) material
Mechanical service life		30000000 cycles
Electrical Service Life at Un, In		100000 cycles
Total Making Time		11 ms
Total Breaking Time		4 ms
Insulation Voltage, between Coil & Contacts		6000 V
Dielectric Strength, between open Contacts		1500 V AC
Mounting		Flange Mount
Operating Temperature, min		-40 °C min
Operating Temperature, Max		70 °C max
Height		68 mm

Catalogue No: **6282004024VAC**

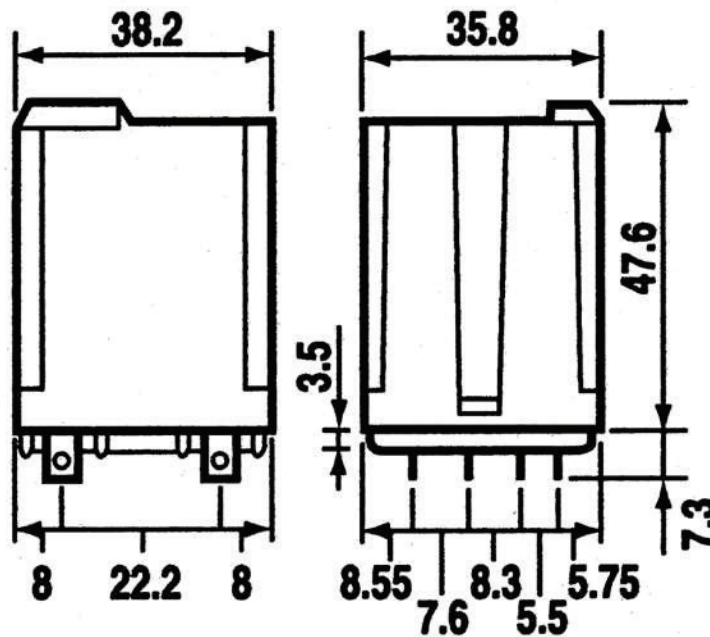
POWER RELAY FLANGE 16A 2CO 24VAC COIL W/PB+MI

Timers and Control Relays > General Purpose Relays > Electromechanical Relays > Finder Electromechanical Relays > Power Relays > 62 Series Plug-in Power Relays



Width	38.2 mm
Depth	35.8 mm
Shock Acceleration (Max.)	15 g
Shock Duration (Max.)	5 ms
Vibration Acceleration (Max.)	20 g
Vibration Frequency, Operational (Max.)	150 Hz
Certifications	CE CSA EAC GOST-R IMQ VDE C-UR-US
Shipping Approvals	Lloyd's Register of Shipping RINA (Registro Italiano Navale)

REFERENCES	
IECEX Certificate	-
Supplier Declaration of Conformity:	-
Installation Guide:	-
User Manual:	-
Manufacturer Datasheet:	-
Manufacturer Catalogue & Product Selection:	-



Dimension Diagram

Catalogue No: **6282004024VAC**

POWER RELAY FLANGE 16A 2CO 24VAC COIL W/PB+MI

Timers and Control Relays > General Purpose Relays > Electromechanical Relays > Finder Electromechanical Relays > Power Relays > 62 Series Plug-in Power Relays



12 14

1 4



11

7

32 34

3 6

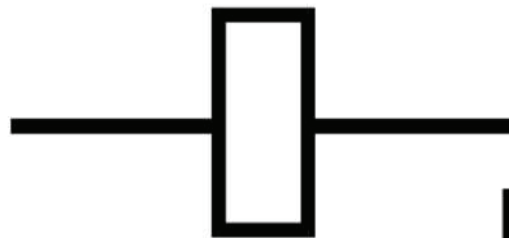


31

9

A1

A



B

A2

Connection / Wiring Diagram