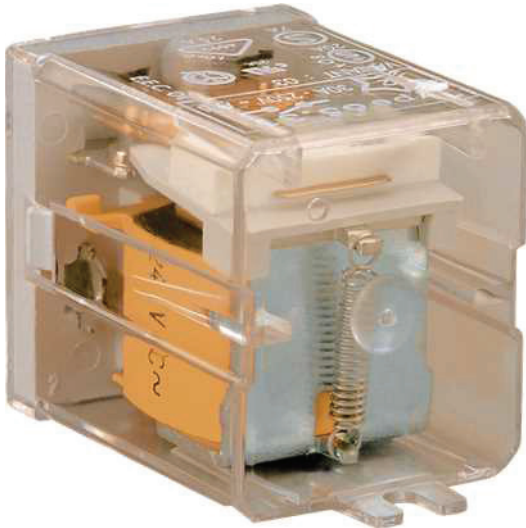


# Catalogue No: **65.31 60 V AC**

## POWER RELAY FLANGE 20A 1NO 1NC 60VAC COIL

Timers and Control Relays > General Purpose Relays > Electromechanical Relays > Finder Electromechanical Relays > Power Relays > 65 Series Power Relays



Representative Photo Only  
(actual product may vary based on configuration selections)

### Power Relay Flange 20A 1 N/O 1 N/C 60V AC Coil

- Complete range from PCB to power relays to cover all of your switching requirements
- International certifications and approvals including CE, CSA, EAC, PCT, RINA, VDE and RoHS, providing quality assurance of a market leading product
- Compact construction allowing for most efficient use of your space

#### SPECIFICATIONS

Component Type	Timers and Control relays	Relay
Contact Configuration		1 NO + 1 NC
In, Rated Current		20 A
Icw, Short Time Withstand Current, 10ms (rms)		40 A, 10ms
Un, Nominal Operational Voltage, AC		250 V AC
Ue, Rated Operational Voltage, AC, max		400 V AC
Contact Breaking Capacity, DC1, 30V		20 A
Contact Breaking Capacity, DC1, 110V		0.8 A
Contact Breaking Capacity, DC1, 220V		0.5 A
Rated Load, AC-1		5000 VA
Rated Load, AC-15		1000 VA
Contact Rated Power, Single Phase Motor, 230V AC		1.1 kW
Coil Type		AC
Coil Voltage, AC, Nom		60 V AC
Coil Voltage, AC, Min		48 V AC
Coil Voltage, AC, Max		66 V AC
Material, Contacts		Silver Cadmium Oxide (AgCdO) material
Mechanical service life		10000000 cycles
Electrical Service Life at Un, In		80000 cycles
Total Making Time		10 ms
Total Breaking Time		12 ms
Insulation Voltage, between Coil & Contacts		4000 V
Dielectric Strength, between open Contacts		1500 V AC
Mounting		Flange Mount
Operating Temperature, min		-40 °C min
Operating Temperature, Max		75 °C max
Height		52.5 mm

# Catalogue No: **65.31 60 V AC**

## POWER RELAY FLANGE 20A 1NO 1NC 60VAC COIL

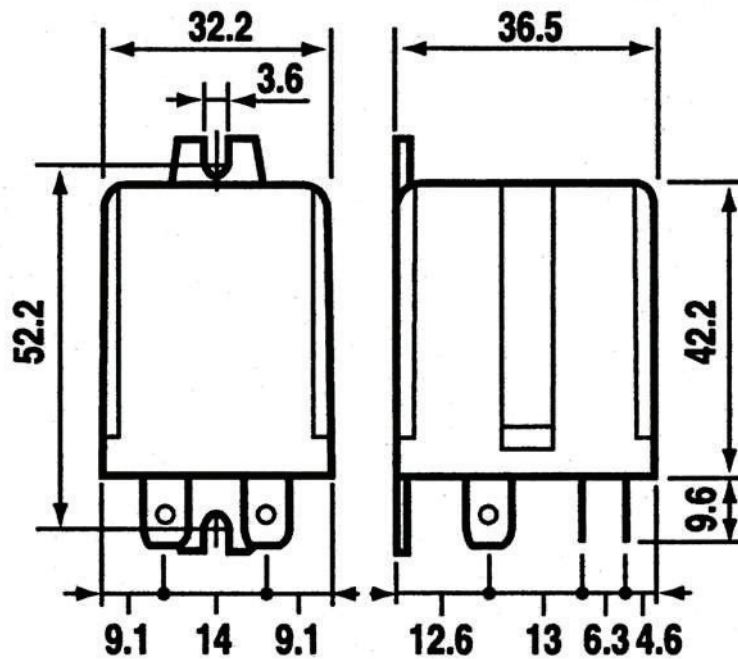
Timers and Control Relays > General Purpose Relays > Electromechanical Relays > Finder Electromechanical Relays > Power Relays > 65 Series Power Relays



Width	32.2 mm
Depth	36.5 mm
Shock Acceleration (Max.)	20 g
Shock Duration (Max.)	6 ms
Vibration Acceleration (Max.)	20 g
Vibration Frequency, Operational (Max.)	150 Hz
Certifications	CE CSA EAC GOST-R IMQ VDE C-UR-US

### REFERENCES

IECEX Certificate	-
Supplier Declaration of Conformity:	-
Installation Guide:	-
User Manual:	-
Manufacturer Datasheet:	-
Manufacturer Catalogue & Product Selection:	-

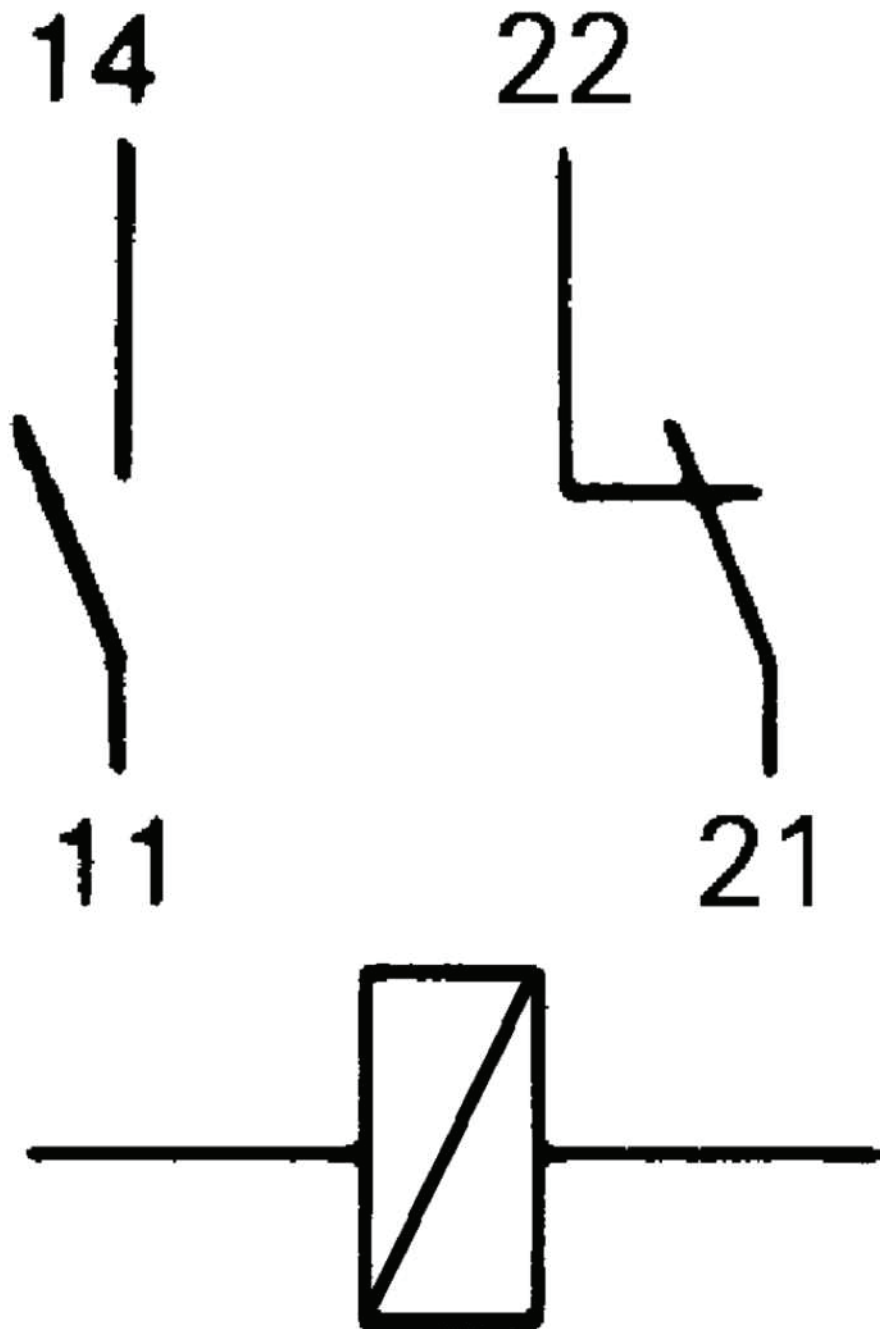


Dimension Diagram

Catalogue No: **65.31 60 V AC**

**POWER RELAY FLANGE 20A 1NO 1NC 60VAC COIL**

Timers and Control Relays > General Purpose Relays > Electromechanical Relays > Finder Electromechanical Relays > Power Relays > 65 Series Power Relays



Connection / Wiring Diagram