

CHBIG4 CHBIG5 CHBIG5MB

Cleaning Guide:

Spraying cleaning products directly on to electrical switches or power points (sockets) is not recommended.

It is important to ensure that switches are turned off before cleaning.

Do not use any cleaning sprays - only wipe down with damp cloth or rub with dry cloth. (Do not use an abrasive cloth as it may scratch the plastic)

Do not use harsh chemical cleaners as these can break down the plastic and cause it to crack.

Do not wash the cover plates in water over 60°C.



Cheetah Big 4 and Big 5 Fixed Power Points

CHBIG4

- Approved to AS/NZS3112
- Double pole surface mounted switched power point
- 10A at 250V ~
- Diameter 6mm terminal bores to suit 4 x 2.5 mm² cables. 6mm terminal bore
- Fits 84 mm mounting centres
- Dolly indicator colour green
- Covers, plates and dollies are made from UV stabilised polycarbonate to avoid discolouring to yellow
- Colour: White
- Suitable for use with the Clipsal* Mounting Block (C2015D4MB) and the Clipsal* Backing Plate (C2015D4P) for installations where surface mounting is required

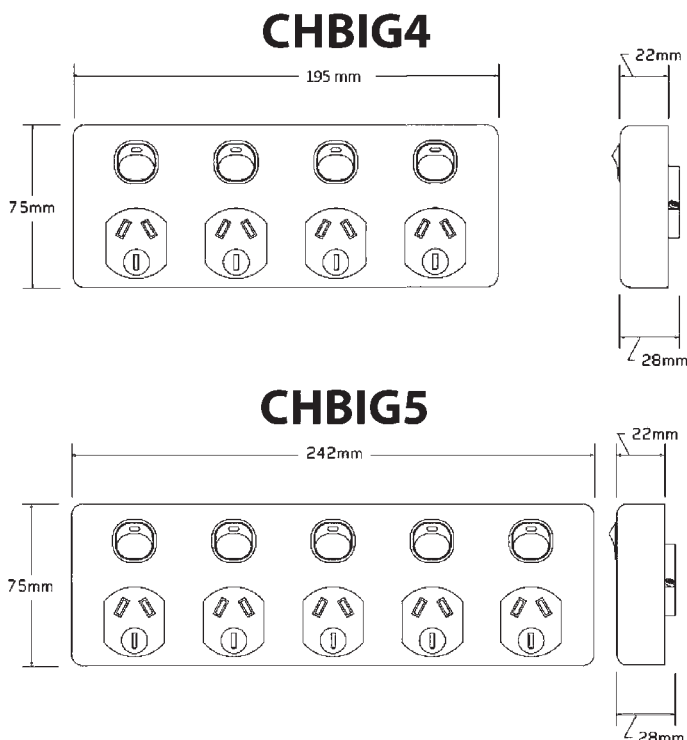
CHBIG5

- Approved to AS/NZS3112
- Dolly indicator colour green
- Covers, plates and dollies are made from UV stabilised polycarbonate to avoid discolouring to yellow
- **The Big 5 uses the same features and mounting system as the BIG 4, but has the additional switched socket for convenience**

CHBIG5MB (Not pictured)

- 15mm high mounting block to suit CHBIG5
- Made from UV stabilised polycarbonate to avoid discolouring to yellow

* Clipsal is a registered trademark of Schneider Electrical Pty Ltd, and is referenced only as suitable for use with the product.



**CHBIG4 and CHBIG5
DOUBLE POLE**

Certification Number:
GMA-103194-EA-003

GSM Electrical (Australia) Pty Ltd
Level 2/142-144 Fullarton Road, ROSE PARK SA 5067
p: 1300 301 838 f: 1300 301 778 e: service@gsm.com.au
www.gsm.com.au

