

CHPP2G CHPP152G CHPPSW2G

Cleaning Guide:

Spraying cleaning products directly on to electrical switches or power points (sockets) is not recommended.

It is important to ensure that switches are turned off before cleaning.

Do not use any cleaning sprays - only wipe down with damp cloth or rub with dry cloth. (Do not use an abrasive cloth as it may scratch the plastic)

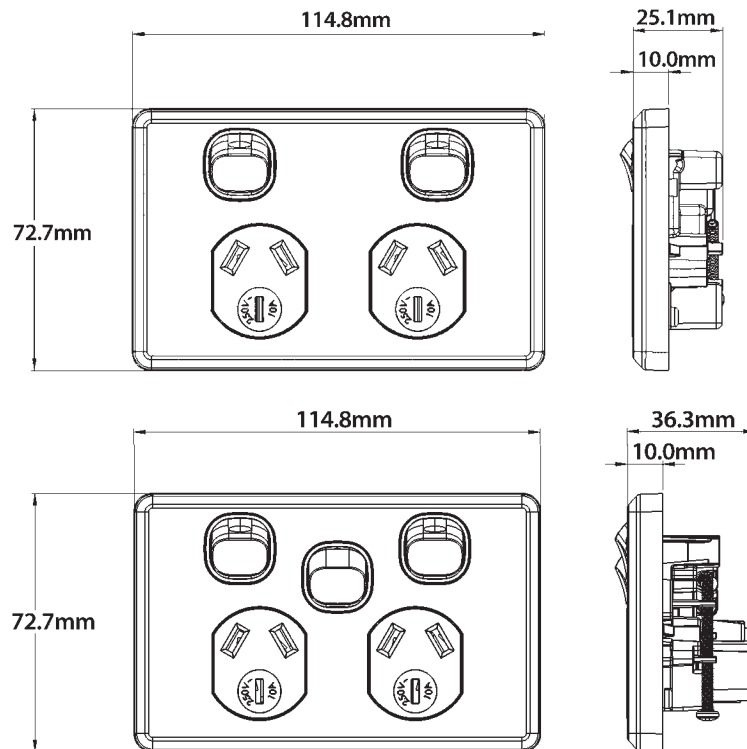
Do not use harsh chemical cleaners as these can break down the plastic and cause it to crack.

Do not wash the cover plates in water over 60°C.



Cheetah Range of Double Power Points

- Switches approved to AS/NZS3133
- Socket outlets approved to AS/NZS3112
- Colour: White
- Fits standard Australian wall boxes and mounting accessories that use 84mm mounting centres
- Uses brass tunnel terminals that have the screws backed out for easier installation of cabling. Power point terminals have 6mm bore to suit 4 x 2.5mm² cable. Switch terminals have 4.1mm bore to suit 4 x 1.5mm²
- Combination head screws for the socket terminals
- Uses 'Cat Flap' screw covers for IP rating of mounting screws
- Dolly indicator colour green
- Covers, plates and dollies are made from UV stabilised polycarbonate to avoid discolouring to yellow
- Typical example of size seen below:



Catalogue Number	Description
CHPP2G	Power Point Switched 2 Gang, 10A 250V~
CHPP152G	Power Point Switched 2 Gang, 15A 250V~
CHPPSW2G	Power Point Switched 2 Gang, 10A 250V~ with extra switch 16AX/20A

Certification Number:

CHPP2G / CHPP152G: GMA-500349-EA

CHPPSW2G: GMA-500348-EA

GSM Electrical (Australia) Pty Ltd

Level 2/142-144 Fullarton Road, ROSE PARK SA 5067

p: 1300 301 838 f: 1300 301 778 e: service@gsm.com.au

www.gsm.com.au

