

SCFL10F



Cleaning Guide:

It is important to ensure that product is turned off before cleaning.
Do not use any cleaning sprays - only wash down with damp cloth or mild detergent, and lightly hose off. (Do not use an abrasive cloth as it may damage the surface finish).
Do not use harsh chemical cleaners as these may damage the surface coating.

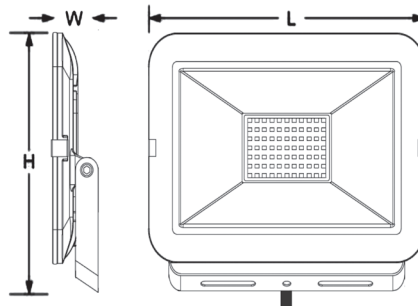
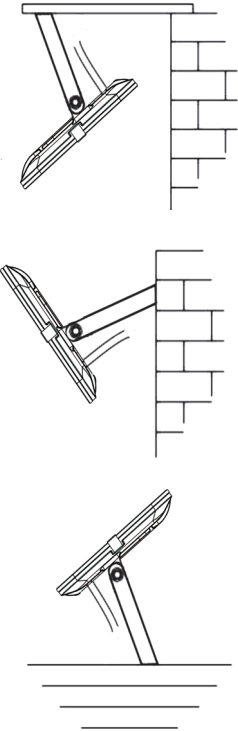


Scorpion LED Floodlight, Frameless SCFL10F

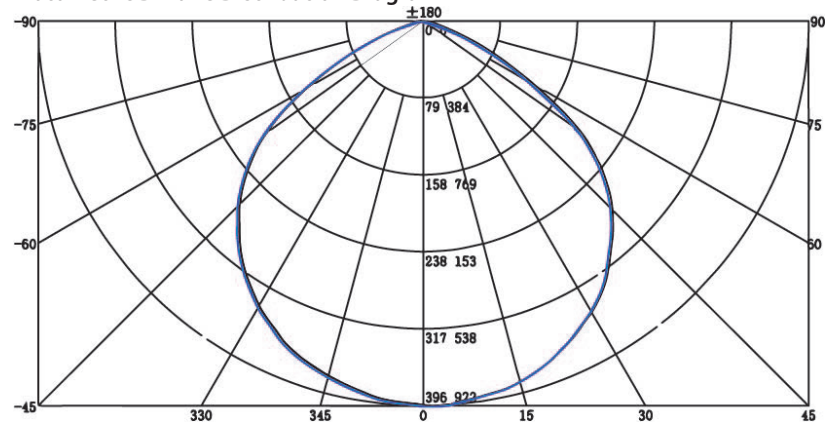
Product Specification

Part Code	SCFL10F
Lumen Output	900lm
Power	10W
Weight	0.353kg
Voltage Rating	220-240V~ 50Hz
Colour Temp	4000K
IP Rating	IP65
LED Lamp Life (L70)	20,000Hrs
Beam Angle	110°
CRI	>70
Cable Length	900mm
Operating Temp	-10°C to 40°C ta. 40°C
Electrical Class	Class I
Product colour	Black
Fascia colour	Black with black frame
Installation	Locking hinge bracket
Warranty	Two (2) Years
Dimensions L x W x H (mm) (refer diagram below)	120 x 27 x 88

Typical Mounting Options



Photometric B Plane Distribution Diagram



Certification Number:
GMA-516004

GSM Electrical (Australia) Pty Ltd
Level 2, 142-144 Fullarton Road, Rose Park SA 5067
P: 1300 301 838 F: 1300 301 778 E: service@gsme.com.au
www.gsme.com.au



SCFL20F



Cleaning Guide:

It is important to ensure that product is turned off before cleaning.
Do not use any cleaning sprays - only wash down with damp cloth or mild detergent, and lightly hose off. (Do not use an abrasive cloth as it may damage the surface finish).
Do not use harsh chemical cleaners as these may damage the surface coating.

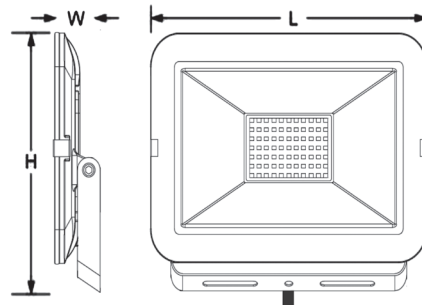
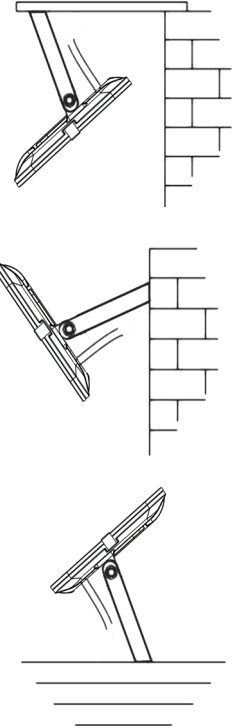


Scorpion LED Floodlight, Frameless SCFL20F

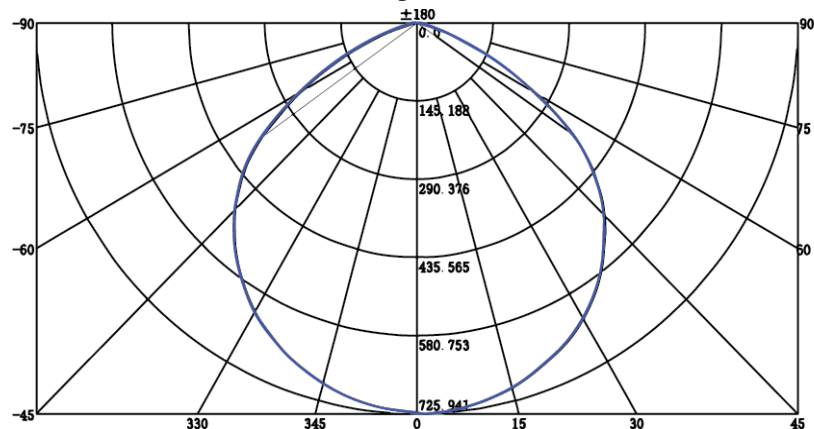
Product Specification

Part Code	SCFL20F
Lumen Output	1800lm
Power	20W
Weight	0.572kg
Voltage Rating	220-240V~ 50Hz
Colour Temp	4000K
IP Rating	IP65
LED Lamp Life (L70)	20,000Hrs
Beam Angle	110°
CRI	>70
Cable Length	900mm
Operating Temp	-10°C to 40°C ta. 40°C
Electrical Class	Class I
Product colour	Black
Fascia colour	Black with black frame
Installation	Locking hinge bracket
Warranty	Two (2) Years
Dimensions L x W x H (mm) (refer diagram below)	163 x 29 x 118

Typical Mounting Options



Photometric B Plane Distribution Diagram



Certification Number:
GMA-516004

GSM Electrical (Australia) Pty Ltd
Level 2, 142-144 Fullarton Road, Rose Park SA 5067
P: 1300 301 838 F: 1300 301 778 E: service@gsme.com.au
www.gsme.com.au



SCFL30F



Cleaning Guide:

It is important to ensure that product is turned off before cleaning.
Do not use any cleaning sprays - only wash down with damp cloth or mild detergent, and lightly hose off. (Do not use an abrasive cloth as it may damage the surface finish).
Do not use harsh chemical cleaners as these may damage the surface coating.

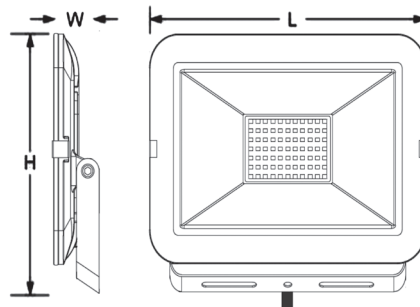
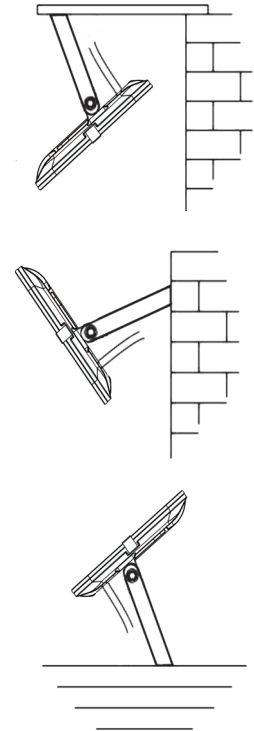


Scorpion LED Floodlight, Frameless SCFL30F

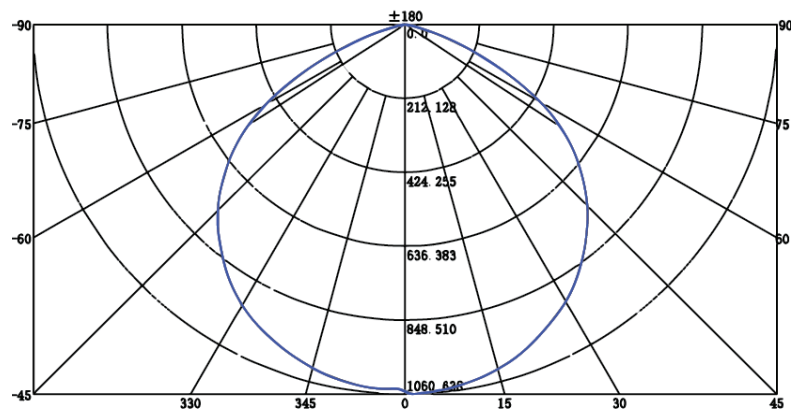
Product Specification

Part Code	SCFL30F
Lumen Output	2700lm
Power	30W
Weight	0.810kg
Voltage Rating	220-240V~ 50Hz
Colour Temp	4000K
IP Rating	IP65
LED Lamp Life (L70)	20,000Hrs
Beam Angle	110°
CRI	>70
Cable Length	900mm
Operating Temp	-10°C to 40°C ta. 40°C
Electrical Class	Class I
Product colour	Black
Fascia colour	Black with black frame
Installation	Locking hinge bracket
Warranty	Two (2) Years
Dimensions	
L x W x H (mm)	195 x 30 x 142
(refer diagram below)	

Typical Mounting Options



Photometric B Plane Distribution Diagram



Certification Number:
GMA-516004

GSM Electrical (Australia) Pty Ltd
Level 2, 142-144 Fullarton Road, Rose Park SA 5067
P: 1300 301 838 F: 1300 301 778 E: service@gsme.com.au
www.gsme.com.au



SCFL50F



Cleaning Guide:

It is important to ensure that product is turned off before cleaning.
Do not use any cleaning sprays - only wash down with damp cloth or mild detergent, and lightly hose off. (Do not use an abrasive cloth as it may damage the surface finish).
Do not use harsh chemical cleaners as these may damage the surface coating.

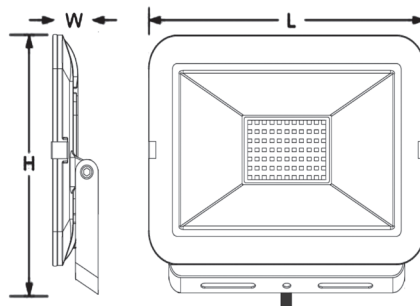
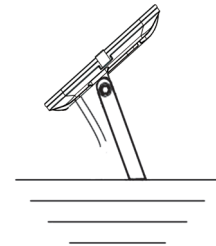
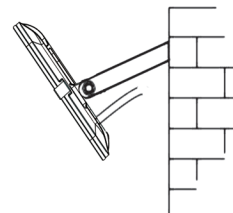
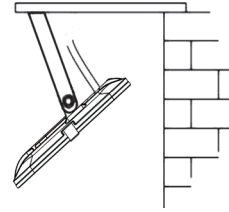


Scorpion LED Floodlight, Frameless SCFL50F

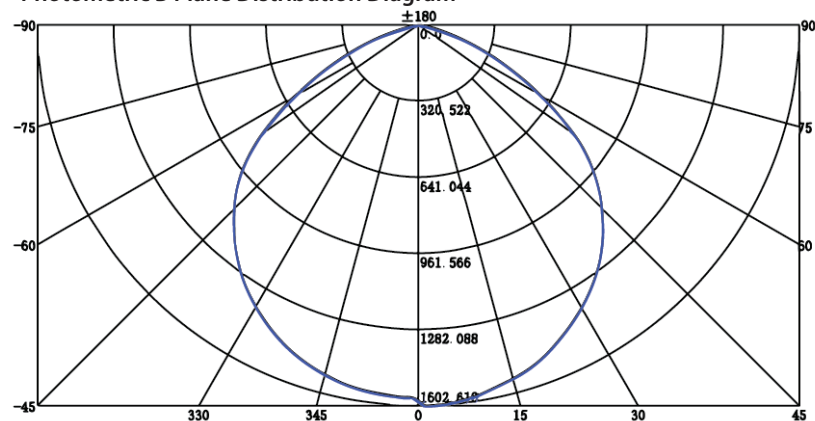
Product Specification

Part Code	SCFL50F
Lumen Output	4500lm
Power	50W
Weight	1.100kg
Voltage Rating	220- 240V~ 50Hz
Colour Temp	4000K
IP Rating	IP65
LED Lamp Life (L70)	20,000Hrs
Beam Angle	110°
CRI	>70
Cable Length	900mm
Operating Temp	-10°C to 40°C ta. 40°C
Electrical Class	Class I
Product colour	Black
Fascia colour	Black with black frame
Installation	Locking hinge bracket
Warranty	Two (2) Years
Dimensions	
L x W x H (mm)	235 x 36 x 163
(refer diagram below)	

Typical Mounting Options



Photometric B Plane Distribution Diagram



Certification Number:
GMA-516004

GSM Electrical (Australia) Pty Ltd
Level 2, 142-144 Fullarton Road, Rose Park SA 5067
P: 1300 301 838 F: 1300 301 778 E: service@gsme.com.au
www.gsme.com.au



SCFLMBA

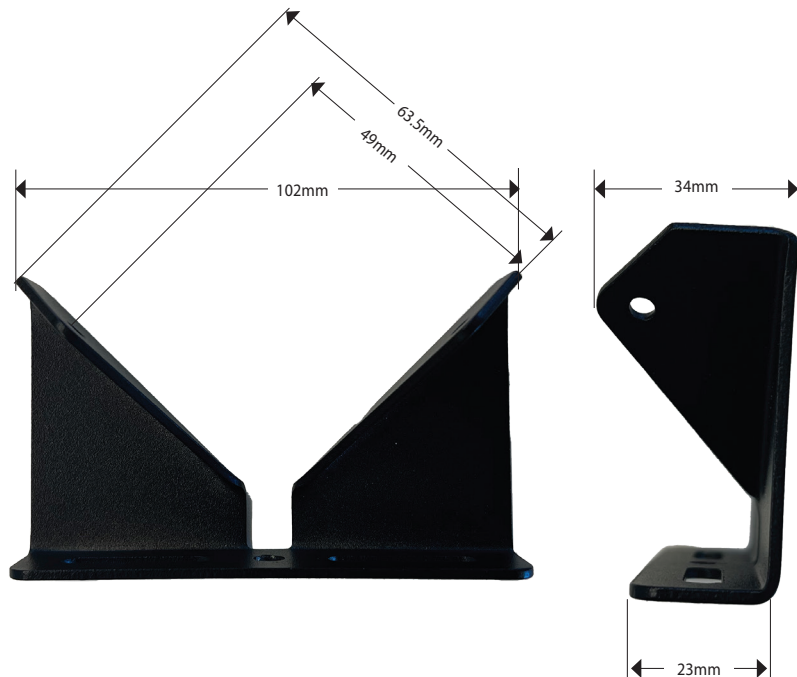


Cleaning Guide:

Clean the product with a soft, dry cloth. Do not use any form of abrasive cleaner or solvents to clean the unit. Never dip product into liquids.

Mounting Bracket for Scorpion Floodlights 90 Degree Angle

- 90deg angle mounting bracket
- Suits SCFL20F, SCFL30F & SCFL50F
- M6 Nut and Bolt assembly supplied
- 4mm Mount holes
- 6.4mm Center mounting hole
- Made out of 2mm powder coated steel



Catalogue Number	Description
SCFLMBA	Mounting Bracket for Scorpion Floodlights 90 Degree Angle for Corner Installs to suit SCFL20F SCFL30F SCFL50F

GSM Electrical (Australia) Pty Ltd
Level 2, 142-144 Fullarton Road, Rose Park SA 5067
P: 1300 301 838 F: 1300 301 778 E: service@gsme.com.au
www.gsme.com.au



Data Specification Sheet
December 2022

SCDL



Interchangeable shells available:

SCDLSSV
(Shell - Silver)
SCDLSBK
(Shell - Black)



Also available in a
12 x SCDL Carry Pack

SCDL12



Cleaning Guide:

Spraying cleaning products on to electrical products is not recommended.

It is important to ensure that switches are turned off before cleaning.

Do not use any cleaning sprays - only wipe down with damp cloth or rub with dry cloth. (Do not use an abrasive cloth as it may scratch the plastic).

Do not use harsh chemical cleaners as these can break down the plastic and cause it to crack.

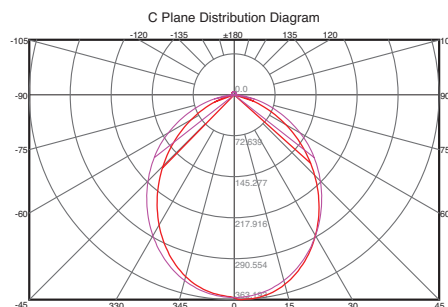
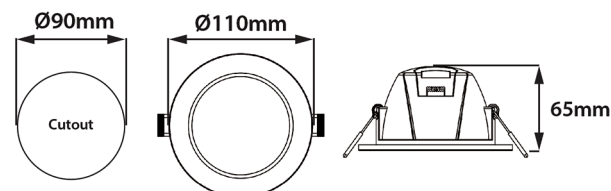


Scorpion LED Downlight 9W

- Dimmable
- Colour Selectable
- Body colour is green
- Shell standard colour is white
- Interchangeable shells available in Silver (SCDLSSV) and Black (SCDLSBK)
- IC-4 rated can be covered and abutted - See instructions
- Flex and Plug - cable length 1.2 metres for easier installations
- Integrated driver
- Diffused lens
- *Warranty covers 5 Years Residential & 3 Years Commercial*

Product Specification

Part Code	SCDL
Colour Temp	3000K 4000K 6000K
Lumen Output	800lm
IP Rating	IP44 (from front only)
Power	9W
Beam Angle	100°
CRI	>80
Voltage Rating	240V~ 50Hz
LED Lamp Life (L70)	30,000 Hrs
Dimmable	Yes
Operating Temp	-10°C to 40°C
Electrical Class	Class II



Dimming

The Scorpion Downlights have been designed for optimum performance with our Dimpala range of dimmers:

DIMR - Dimpala Universal Eclipse Dimmer // DIMPRX - Dimpala Push Rotary Dimmer No Glow // DIMPR - Dimpala Push Rotary Dimmer

Please refer to our Website or Catalogue for further detail and accessories

Note: In some regions a slight flicker may occur when the luminaire is dimmed. This could be due to power line signals sent by electricity supply utilities. This effect is not a malfunction of the luminaire or dimmer but could be a result of local power supply changes. If this occurs at any stage adjusting the dimmer back to maximum output should minimise the effect.

Certification Number:

GMA-503176

GSM Electrical (Australia) Pty Ltd

Level 2, 142-144 Fullarton Road, Rose Park SA 5067

P: 1300 301 838 F: 1300 301 778 E: service@gsme.com.au

www.gsme.com.au



SCDL2



Interchangeable shells available:

SCDL2SSV
(Shell - Silver)
SCDL2SBK
(Shell - Black)



Cleaning Guide:

Spraying cleaning products on to electrical products is not recommended. It is important to ensure that switches are turned off before cleaning.

Do not use any cleaning sprays - only wipe down with damp cloth or rub with dry cloth. (Do not use an abrasive cloth as it may scratch the plastic).

Do not use harsh chemical cleaners as these can break down the plastic and cause it to crack.

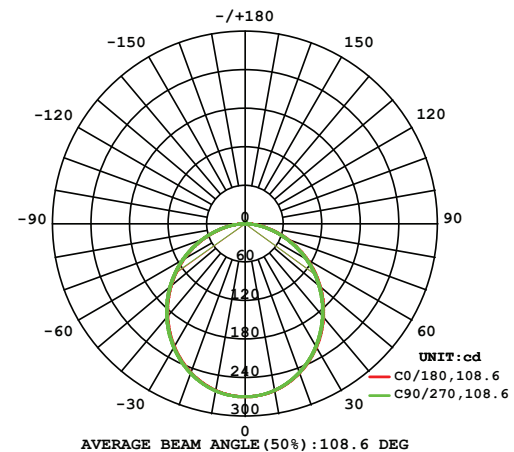
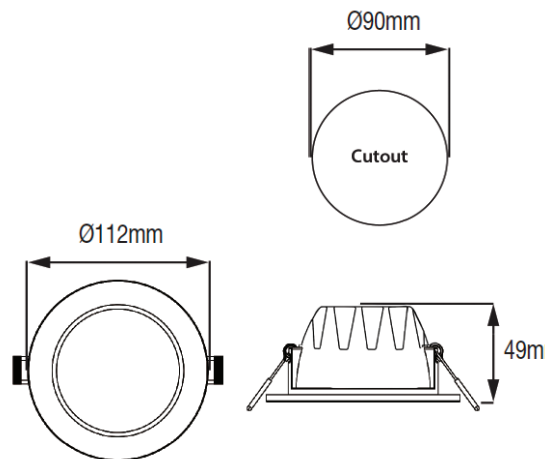


Scorpion LED Downlight 8W

- Dimmable
- Colour Selectable - CCT 3 (see chart)
- Body colour is green
- Shell standard colour is white
- Interchangeable shells available in Black (SCDL2SBK)
- IC-4 rated can be covered and abutted - See instructions
- Flex and Plug - cable length 1.2 metres for easier installations
- Integrated driver
- Diffused lens
- *Warranty covers 5 Years Residential & 3 Years Commercial*

Product Specification

Part Code	SCDL2
Colour Temp	3000K 4000K 5700K
Lumen Output	750lm
IP Rating	IP44 (from front only) IP20 (from rear)
Power	8W
Beam Angle	110°
CRI	>80
Voltage Rating	220-240V~ 50Hz
LED Lamp Life (L70)	30,000 Hrs
Dimmable	Yes
Operating Temp	-10°C to 40°C (IC-4@ ta 25°C)
Electrical Class	Class II



Dimming

The Scorpion Downlights have been designed for optimum performance with our Dimpala range of dimmers: DIMR - Dimpala Universal Eclipse Dimmer // DIMPRX - Dimpala Push Rotary Dimmer No Glow // DIMPR - Dimpala Push Rotary Dimmer Please refer to our Website or Catalogue for further detail and accessories

Note: In some regions a slight flicker may occur when the luminaire is dimmed. This could be due to power line signals sent by electricity supply utilities. This effect is not a malfunction of the luminaire or dimmer but could be a result of local power supply changes. If this occurs at any stage adjusting the dimmer back to maximum output should minimise the effect.

Certification Number:
GMA-517509

GSM Electrical (Australia) Pty Ltd
Level 2, 142-144 Fullarton Road, Rose Park SA 5067
P: 1300 301 838 F: 1300 301 778 E: service@gsme.com.au
www.gsme.com.au



SCDLS



Scorpion LED Downlight 8W Slim Profile

- Dimmable
- Colour Selectable - CCT 3 (see chart)
- Body colour is white
- IC-4 rated can be covered and abutted - See instructions
- Flex and Plug - cable length 1.2 metres for easier installations
- Diffused lens
- Separate driver
- *Warranty covers 5 Years Residential & 3 Years Commercial*

Product Specification

Part Code	SCDLS
	3000K
Colour Temp	4000K
	5700K
Lumen Output	750lm
IP Rating	IP44 (from front only) IP20 (from rear)
Power	8W
Beam Angle	110°
CRI	>80
Voltage Rating	220V-240V~ 50Hz
LED Lamp Life (L70)	30,000 Hrs
Dimmable	Yes
Operating Temp	-10°C to 40°C (IC-4@ ta 25°C)
Electrical Class	Class II

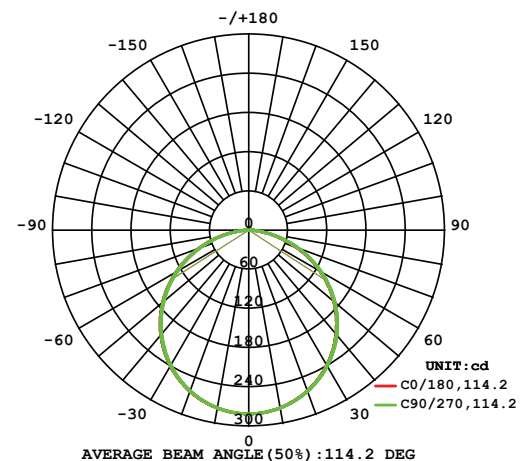
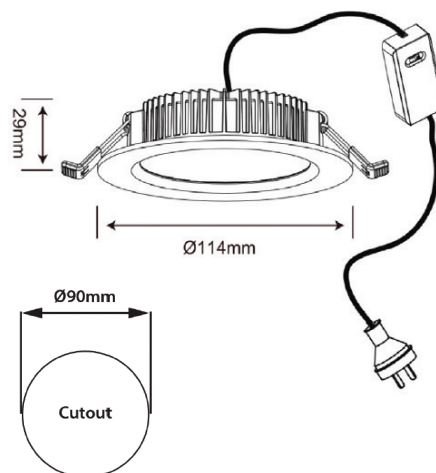
Cleaning Guide:

Spraying cleaning products on to electrical products is not recommended.

It is important to ensure that switches are turned off before cleaning.

Do not use any cleaning sprays - only wipe down with damp cloth or rub with dry cloth. (Do not use an abrasive cloth as it may scratch the plastic).

Do not use harsh chemical cleaners as these can break down the plastic and cause it to crack.



Dimming

The Scorpion Downlights have been designed for optimum performance with our Dimpala range of dimmers:

DIMR - Dimpala Universal Eclipse Dimmer // DIMPRX - Dimpala Push Rotary Dimmer No Glow // DIMPR - Dimpala Push Rotary Dimmer
 Please refer to our Website or Catalogue for further detail and accessories

Note: In some regions a slight flicker may occur when the luminaire is dimmed. This could be due to power line signals sent by electricity supply utilities. This effect is not a malfunction of the luminaire or dimmer but could be a result of local power supply changes. If this occurs at any stage adjusting the dimmer back to maximum output should minimise the effect.

Certification Number:

GMA-516363

GSM Electrical (Australia) Pty Ltd

Level 2, 142-144 Fullarton Road, Rose Park SA 5067

P: 1300 301 838 F: 1300 301 778 E: service@gsme.com.au

www.gsme.com.au



Data Specification Sheet
September 2023



SCDLLG



Scorpion LED Downlight 8W Low Glare

- Dimmable
- Colour Selectable (4 CCT colours)
- Body colour is white
- IC-4 rated can be covered and abutted - See instructions
- Flex and Plug - cable length 1.2 metres for easier installations
- Integrated driver
- *Warranty covers 5 Years Residential & 3 Years Commercial*

Product Specification

Part Code	SCDLLG
Colour Temp	3000K
	4000K
	5000K
	5700K
Lumen Output	750lm
IP Rating	IP44 (from front only) IP20 (from rear)
Power	8W
Beam Angle	60°
CRI	>80
Voltage Rating	220V-240V~ 50Hz
LED Lamp Life (L70)	30,000 Hrs
Dimmable	Yes
Operating Temp	-10°C to 40°C (IC-4@ ta 25°C)
Electrical Class	Class II

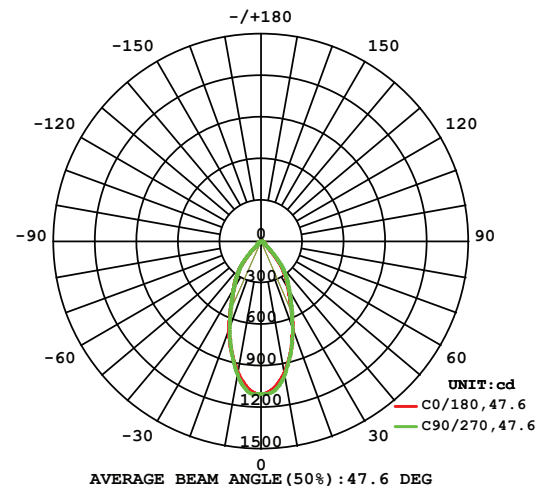
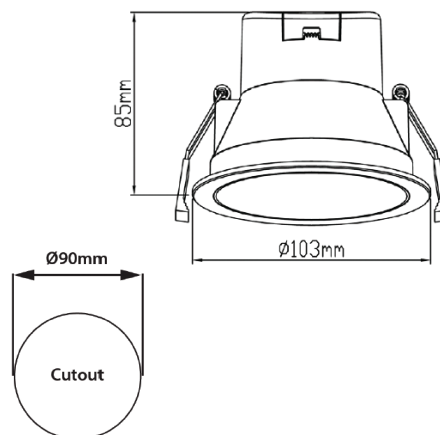
Cleaning Guide:

Spraying cleaning products on to electrical products is not recommended.

It is important to ensure that switches are turned off before cleaning.

Do not use any cleaning sprays - only wipe down with damp cloth or rub with dry cloth. (Do not use an abrasive cloth as it may scratch the plastic).

Do not use harsh chemical cleaners as these can break down the plastic and cause it to crack.



Dimming

The Scorpion Downlights have been designed for optimum performance with our Dimpala range of dimmers:

DIMR - Dimpala Universal Eclipse Dimmer // DIMPRX - Dimpala Push Rotary Dimmer No Glow // DIMPR - Dimpala Push Rotary Dimmer
 Please refer to our Website or Catalogue for further detail and accessories

Note: In some regions a slight flicker may occur when the luminaire is dimmed. This could be due to power line signals sent by electricity supply utilities. This effect is not a malfunction of the luminaire or dimmer but could be a result of local power supply changes. If this occurs at any stage adjusting the dimmer back to maximum output should minimise the effect.

Certification Number:

GMA-516447

GSM Electrical (Australia) Pty Ltd

Level 2, 142-144 Fullarton Road, Rose Park SA 5067

P: 1300 301 838 F: 1300 301 778 E: service@gsme.com.au

www.gsme.com.au



Data Specification Sheet
September 2023



SCOYSTER



Cleaning Guide:

Spraying cleaning products on to electrical products is not recommended. It is important to ensure that switches are turned off before cleaning.

Do not use any cleaning sprays - only wipe down with damp cloth or rub with dry cloth. (Do not use an abrasive cloth as it may scratch the plastic).

Do not use harsh chemical cleaners as these can break down the plastic and cause it to crack.



Scorpion LED Oyster Light

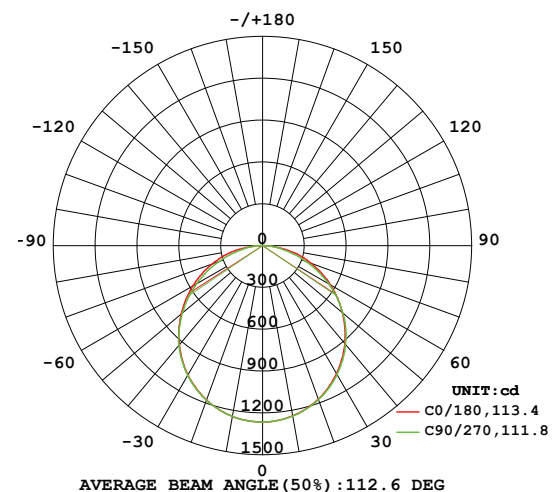
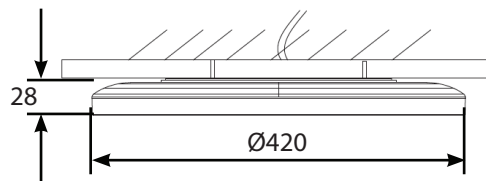
- Colour Selectable (3 CCT colours)
- Body colour is white
- Surface mounted
- Non-dimmable
- Integrated driver
- *Warranty covers 5 Years Residential & 3 Years Commercial*
- Requires wiring (does not come with plug)



Non-dimmable

Product Specification

Part Code	SCOYSTER
Colour Temp	3000K
	4000K
	5700K
Lumen Output	3600lm
IP Rating	IP20
Power	30W
Beam Angle	100°
CRI	>80
Voltage Rating	220V-240V~ 50Hz
LED Lamp Life (L70)	30,000 Hrs
Dimmable	No
Operating Temp	-10°C to 40°C
Electrical Class	Class II



Certification Number:
GMA-517874

GSM Electrical (Australia) Pty Ltd

Level 2, 142-144 Fullarton Road, Rose Park SA 5067
 P: 1300 301 838 F: 1300 301 778 E: service@gsme.com.au

www.gsme.com.au



SCDLGOLD



Cleaning Guide:

Spraying cleaning products on to electrical products is not recommended. It is important to ensure that switches are turned off before cleaning.

Do not use any cleaning sprays - only wipe down with damp cloth or rub with dry cloth. (Do not use an abrasive cloth as it may scratch the plastic).

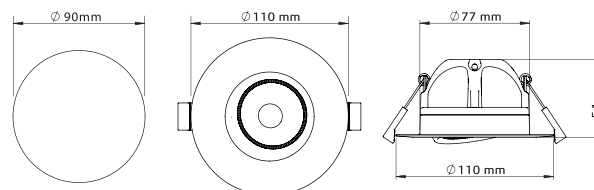
Do not use harsh chemical cleaners as these can break down the plastic and cause it to crack.

Scorpion LED Downlight 9W Adjustable Gimbal, Dim to Warm

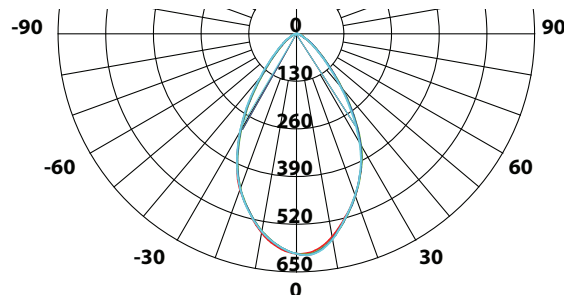
- Dimmable
- Colour Selectable
- Body colour is green
- Shell colour is white/green
- IC-4 rated can be covered and abutted - See instructions
- Flex and Plug - cable length 1.2 metres for easier installations
- Integrated driver
- Diffused lens
- Shell colour white only with green cap
- Separate driver
- Adjustable gimbal
- Dim to warm 2000K - 3000K
- *Warranty covers 5 Years Residential & 3 Years Commercial*

Product Specification

Part Code	SCDLGOLD
Colour Temp	2000-3000K
Lumen Output	680lm \pm 5%
IP Rating	IP44 (from front only)
Power	9W
Beam Angle	65°
CRI	>95
Voltage Rating	220V-240V~ 50/60Hz
LED Lamp Life (L70)	30,000 Hrs
Dimmable	Yes
Operating Temp	-10°C to 40°C
Electrical Class	Class II
Ambient	ta 40°C



LUMINOUS INTENSITY DISTRIBUTION DIAGRAM



Certification Number:
GMA-506854

GSM Electrical (Australia) Pty Ltd
Level 2, 142-144 Fullarton Road, Rose Park SA 5067
P: 1300 301 838 F: 1300 301 778 E: service@gsme.com.au
www.gsme.com.au



Data Specification Sheet
May 2020



SCWL

Cleaning Guide:

Spraying cleaning products directly on product is not recommended.

It is important to ensure that products are turned off before cleaning.

Do not use any cleaning sprays - only wipe down with damp cloth or rub with dry cloth. Do not use an abrasive cloth as it may scratch the plastic.

Do not use harsh chemical cleaners as these can break down the plastic and cause it to crack.

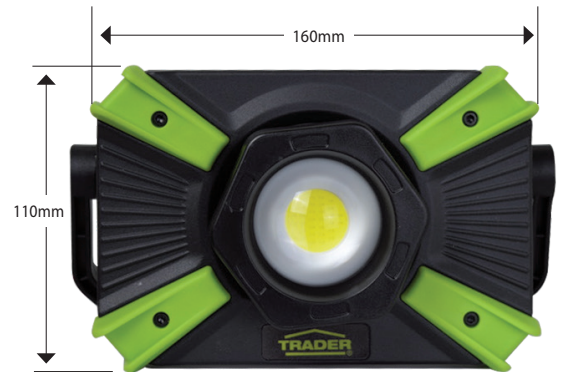
Do not wash with water over 60°C.

Scorpion Rechargeable Infinity Focus Worklight

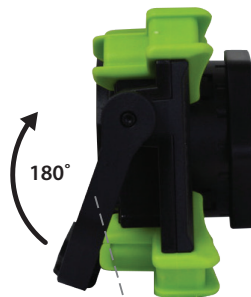
Hands-free use. Powerful COB LED produces 1,200 lumens of light and features a dual-use magnetic handle/stand and USB output port.

Designed for durability. Supports the toughest shop environments with a compact and convenient design.

- COB LED
- Rechargeable
- Beam distance 25m
- 1,200 lumens high - 600 lumens low
- 4 hour run time high - 8 hours low
- 2.5 hour charge time
- Magnetic stand / carrying handle
- 2M impact resistance
- Rubber corner bumpers
- Variable focusing beam with dimming feature
- IPX4



Compact - Easy to carry and store.



Magnetic rotating stand and handle.

Rubber corner bumpers



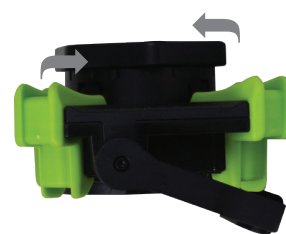
Aluminium body with heat sink.

2 position power switch. High 1,200 lumens and low 600 lumens. Hold to dim.



Battery charge level indicator USB output Charging input

Variable focusing beam with dimming feature



Twist bezel to change from flood to spot



GSM Electrical (Australia) Pty Ltd
Level 2, 142-144 Fullarton Road, Rose Park SA 5067
P: 1300 301 838 F: 1300 301 778 E: service@gsme.com.au
www.gsme.com.au



Data Specification Sheet
May 2020

SCWLTV



Cleaning Guide:

Switch the device off and disconnect the charger from the socket before cleaning.

Clean the product with a soft, dry cloth. Do not use any form of abrasive cleaner or solvents to clean the unit. Never dip the Worklight into liquids.

Store the Worklight in a clean, dry and dark place. Do not expose the worklight to temperatures of under -15°C for long periods of time.

Caution:

Never use a damaged product (eg. worn cable, cracked casing).



Scorpion Worklight Versa, Rechargeable, 40W, IP54

The Scorpion Rechargeable Worklight on a tripod has arrived. The Worklight features a total of 3200 lumen output while running on battery. The product can provide light for up to 6 hours, making it ideal for work sites.

Specifications:

- Power rating: 40W LED.
- Max. 3200 lumens for full light.
- Two (2) brightness settings available according to your needs: 50% or 100%.
- With its triangular ergonomic shape, this Worklight offers great stability.
- Charging time: Approx. 6.5hrs.
- Lighting duration: High, max 3 hours / low, max 6 hours.
- Light can be rotated 300°
- Hanging hook and 2 wall mounting holes.
- Power bank function: Type C output 5V 2A.
- Rechargeable Li-ion Battery 18.5V 3.6Ah.
- Includes 1metre Type C USB Charging Cable
- IP54 Rating.
- Weight: 3.9kgs.

Tripod features include:

- Versatile clamp for easy attachment to many surfaces.
- Hanging hook for quick storage.
- Foldable and extendable tripod to easily adjust the height and position of the Worklight according to your needs.
- Tripod extends to 3.4m (max)
- Tripod construction powder coated steel with polycarbonate connecting sleeves.

GSM Electrical (Australia) Pty Ltd

Level 2, 142-144 Fullarton Road, Rose Park SA 5067
P: 1300 301 838 F: 1300 301 778 E: service@gsme.com.au
www.gsme.com.au



SCNL



Cleaning Guide:

Clean the product with a soft, dry cloth. Do not use any form of abrasive cleaner or solvents to clean the unit. Never dip product into liquids.

Scorpion Nightlight, USB Rechargeable

The Scorpion Nightlight can be set to be ON or light up automatically when someone passes or moves within 5m in darkness. Easily mounted on a wall with the adhesive magnet, the Nightlight is also easily recharged with the supplied USB cable.

Specifications:

- Size: Ø96x62mm
- Magnetic surface mount
- Auto Sensing Option: 5m, 120°
- Color Temperature: 2700k
- Rated Power: 0.2W
- Charging Voltage: 5V DC
- Operating Temp: -10 to +40C
- Charge: USB Type-C



Catalogue Number	Description
SCNL	Nightlight, USB Rechargeable, 0.2W, 5V DC, 2700K



GSM Electrical (Australia) Pty Ltd
Level 2, 142-144 Fullarton Road, Rose Park SA 5067
P: 1300 301 838 F: 1300 301 778 E: service@gsme.com.au
www.gsme.com.au



Data Specification Sheet
September 2021

SCSPSENSORBK

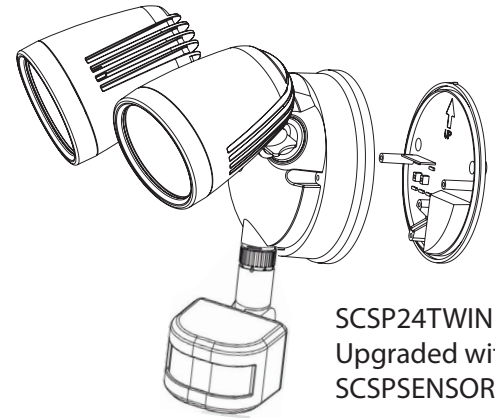
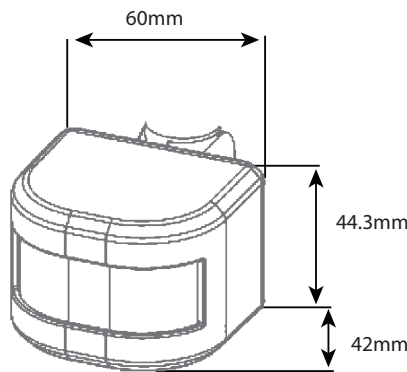


Cleaning Guide:

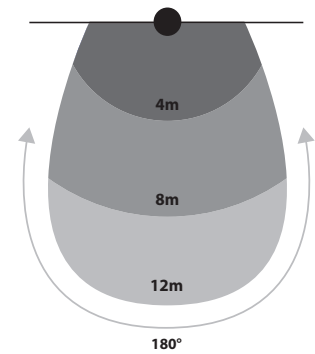
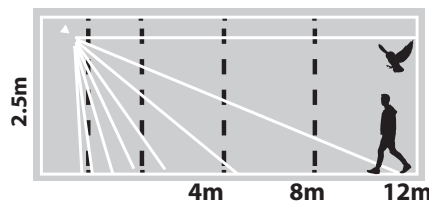
Clean the product with a soft, dry cloth. Do not use any form of abrasive cleaner or solvents to clean the unit. Never dip product into liquids.

Scorpion Sensor for Twin Spotlight (SCSP24TWINBK)

- Lux Setting: <10-2000Lux (adjustable)
- Time delay: 10sec (±3sec) – 12min (±3min)
- 2-12m Detection zone (adjustable)
- 180° Detection zone
- 0.6 – 1.5m/s Detection Speed
- Recommended Installation height: 1.8-2.5m
- **IP Rating: IP54**
Note: Sensor is IP54 rated once correctly installed as per instructions.
- Compatible as an upgrade for SCSP24TWINBK



SCSP24TWINBK
Upgraded with
SCSPSENSORBK



Catalogue Number	Description
SCSPSENSORBK	Motion Sensor Passive Infrared Adaptor for SCSP24TWINBK 12m Detection Time Sensitivity and Lux Adjustable Black

Certification Number:

GMA-515501

GSM Electrical (Australia) Pty Ltd

Level 2, 142-144 Fullarton Road, Rose Park SA 5067

P: 1300 301 838 F: 1300 301 778 E: service@gsme.com.au

www.gsme.com.au



Data Specification Sheet
240223



SCSP24TWINBK

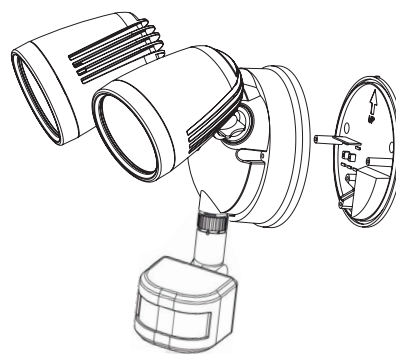
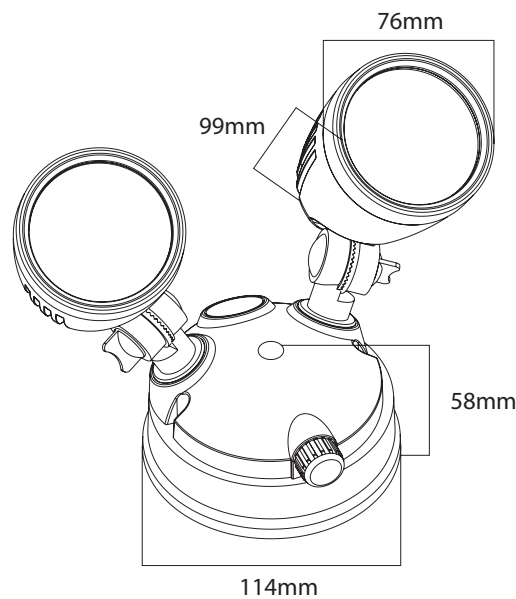


Cleaning Guide:

Clean the product with a soft, dry cloth. Do not use any form of abrasive cleaner or solvents to clean the unit. Never dip product into liquids.

Scorpion Twin Spotlight

- 24Watt twin LED spotlight
- 2000lumens
- Selectable Tricolour: 3000K, 4000K, 5700K
- IP54
- 120° light angle
- -20°C to +40°C Operating temperature
- Colour: Black
- Compatible with SCSPSENSORBK to upgrade to be controlled via a sensor



SCSP24TWINBK
Upgraded with
SCSPSENSORBK

Catalogue Number	Description
SCSP24TWINBK	Spot Light Twin 24 Watt LED 3 Selectable Colour Temperatures 3K 4K 5K Inbuilt Relay Can Be Upgraded to Sensor with SCSPSENSORBK Black



Certification Number:

GMA-515501

GSM Electrical (Australia) Pty Ltd

Level 2, 142-144 Fullarton Road, Rose Park SA 5067

P: 1300 301 838 F: 1300 301 778 E: service@gsme.com.au

www.gsme.com.au

