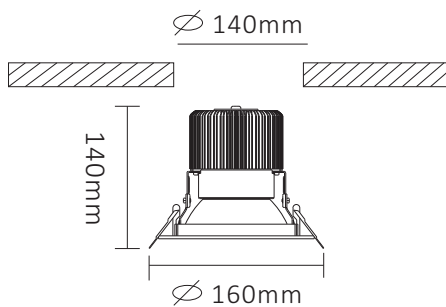
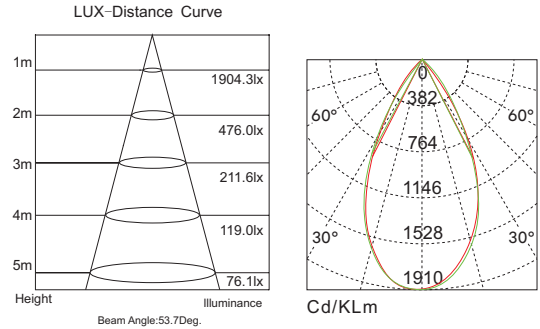


MARS20W160R4K



Optical/Photometric

Lumen output	1415lm
Colour Render Index	83
Colour Temperature	4000K
Beam Angle	60°
LED Chip	SHARP

Product Specifications

Electrical

Supply Voltage	240-265V
Supply Frequency	50-60Hz
Supply Current	0.0833A
Power Factor	0.9
Input Power	20W
Output Voltage	37VDC
Output Current	490mA
LED Lamp	18.2W
Dimming	TRIAC
IP Rating	40
Cable	1.2M Flex&Plug

Physical

Fascia Colour	white
Heatsink	Aluminum
Diffuser	PC
Controller	Thermoplastic
Gimbal	N/A
Body	Aluminum
G.W : 1.2kgs	N.W : 1.0 kgs

Operational

Ambient Temp	-20° - 65°
Max. Surface Temp	60°
Lifespan	40,000 hrs @ ta 25°

Option: DALI Dimming, DSI Dimming, 1-10V Dimming