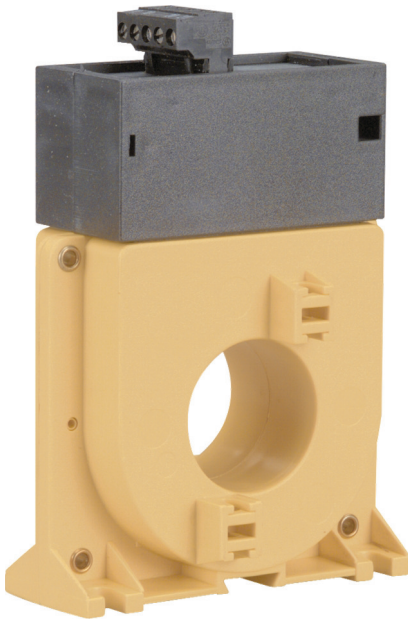


Catalogue No: **HT35A 110VAC**

CT/TRANSD DC 35mm 2-WIRE 400A IN 0/4-20mA OUT 110VAC AUX

Energy Management and Building Automation > Energy Management and Metering > Transducers and Transformers > IME Transducers > Combined Current Transformers/Transducers



Representative Photo Only
(actual product may vary based on configuration selections)

HALL EFFECT TRANSD 400A DC

- Available for AC or DC measurement
- Multiple selectable DC outputs 0...5/10/20mA, 4-20mA, 10V
- Compact DIN mount design
- Basic or Field programmable units available

SPECIFICATIONS

Component Type Metering	Combined Current Transformer And Transducer
Input Range(s)	0 ... 400A
Input Current, Max (rms)	480
Umin, Supply Voltage, AC, Min	103.5
Umax, Supply Voltage, AC, Max	126.5
Output Range(s)	0 ... 20mA 4 ... 20mA
Accuracy Class	1
Response Time (Off > On)	300
Pollution Degree	2
Installation Category	III
Ui, Rated Insulation Voltage	600
Insulation Voltage, between Input & Output	4000
Impulse Withstand Test Voltage	6
Power Dissipation, Max	4
Material, body / housing	ABS (Acrylonitrile Butadiene Styrene)
Mounting	Base Mount
IP rating	IP20
Terminal Type	Screw Terminal(s)
Diameter, Internal	35
Height	92
Width	56
Depth	135
Weight	0.35
Operating temperature, min	0
Operating temperature, max	45
Storage temperature, min	-25

Catalogue No: HT35A 110VAC

CT/TRANSD DC 35mm 2-WIRE 400A IN 0/4-20mA OUT 110VAC AUX

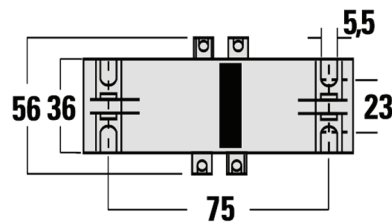
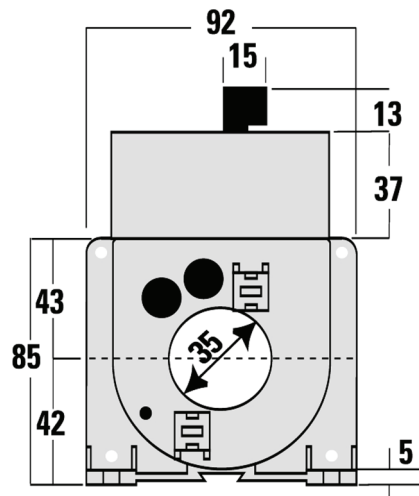
Energy Management and Building Automation > Energy Management and Metering > Transducers and Transformers > IME Transducers > Combined Current Transformers/Transducers



Storage temperature, max	70
Relative humidity, max	75
Standards Compliance	EN 60529 EN 50081-1 EN 50082-2 EN 55011 EN 60439-1 EN 61010-1 EN 60688

REFERENCES

IECEX Certificate	-
Supplier Declaration of Conformity:	-
Installation Guide:	-
User Manual:	-
Manufacturer Datasheet:	-
Manufacturer Catalogue & Product Selection:	-



Dimension Diagram

Catalogue No: **HT35A 110VAC**

CT/TRANSD DC 35mm 2-WIRE 400A IN 0/4-20mA OUT 110VAC AUX

Energy Management and Building Automation > Energy Management and Metering > Transducers and Transformers > IME Transducers > Combined Current Transformers/Transducers

