



Representative Photo Only
(actual product may vary based on configuration selections)

CT 1200/1A TASL10D120

- Available in a broad range of primary currents 40. . . 6000A
- 5A or 1A secondary
- Cable or Busbar type
- Split or solid core
- High accuracy Class 0.5M

SPECIFICATIONS

| Component Type Metering | Current Transformer |
|---|---------------------------------|
| I _{pn} , Primary Current, Rated | 1200 |
| I _{sn} , Secondary Current, Rated | 1 |
| Accuracy Class | 0.5 1 |
| Burden, Accuracy Class 0.5 | 15 |
| Burden, Accuracy Class 1 | 20 |
| Rated frequency | 50 |
| Operational Frequency, Min | 47 |
| Operational Frequency, Max | 63 |
| U _m , System Voltage, Max (rms) | 0.72 |
| Insulation Class | B |
| U _i , Rated Insulation Voltage | 3000 |
| Rated Insulation Time, Max | 60 |
| Details, Insulation | Dry transformer, air insulation |
| I _{th} , Thermal Current, Short Time, 1s | 72 |
| I _{dyn} , Current, Dynamic | 180 |
| Security Factor | ≤5 |
| Power Dissipation, Max | 20 |
| Busbar / Cable Temperature, Max | 125 |
| Tightening Torque, Busbar, Max | 0.2 |
| Mounting | Busbar Mount |
| Height, Window | 65 |
| Width, Window | 32 |
| Material, body / housing | PC (Polycarbonate) |
| IP rating, body / housing | IP40 |
| IP Rating, Terminals | IP00 |

Catalogue No: **TAS65 1200/1A**

CT 1200/1A TASL10D120

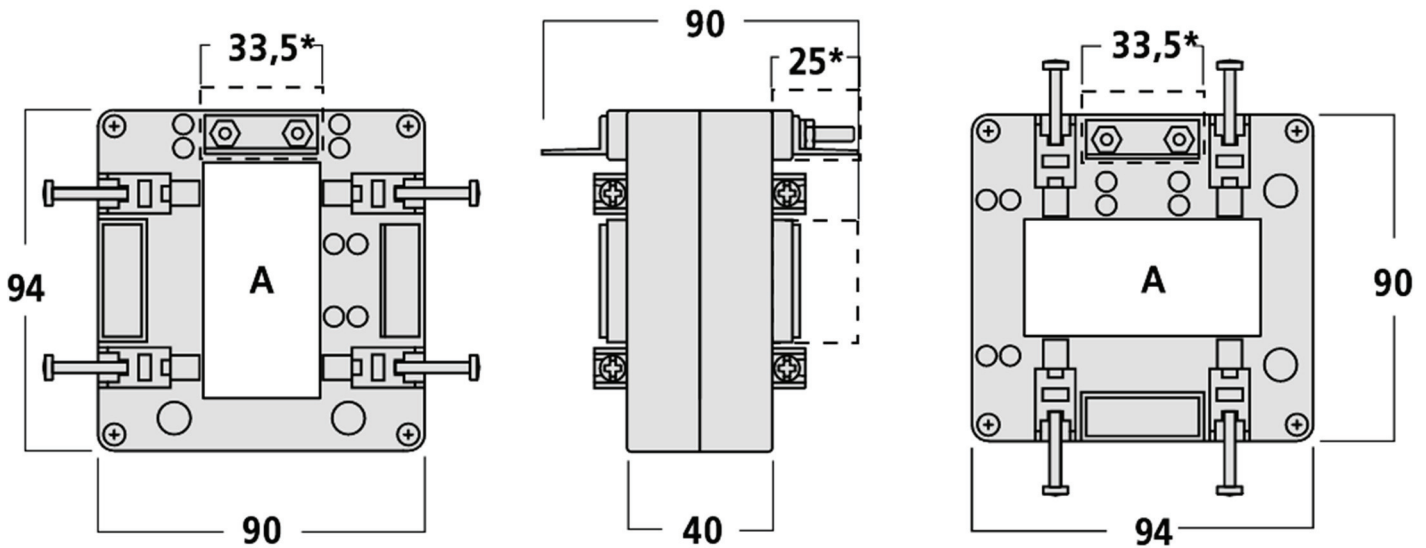
Energy Management and Building Automation > Energy Management and Metering > Transducers and Transformers > IME Transformers > Busbar type Current Transformers > TAS65



| | |
|-----------------------------|-------------------------------------|
| Details, IP Rating | IP20 (with sealable terminal cover) |
| Height | 90 |
| Width | 40 |
| Depth | 94 |
| Weight | 0.75 |
| Operating temperature, min | -25 |
| Operating temperature, max | 40 |
| Continuous Temperature, Max | 30 |
| Storage temperature, min | -40 |
| Storage temperature, max | 85 |
| Relative humidity, max | 85 |
| Humidity type | Short-Term Condensation |
| Standards Compliance | EN 60044-1 IEC 60044-1 |

REFERENCES

| | |
|---|---|
| IECEX Certificate | - |
| Supplier Declaration of Conformity: | - |
| Installation Guide: | - |
| User Manual: | - |
| Manufacturer Datasheet: | TAS6512001A_ManufacturerDatasheet |
| Manufacturer Catalogue & Product Selection: | - |



***Opzione/Option**

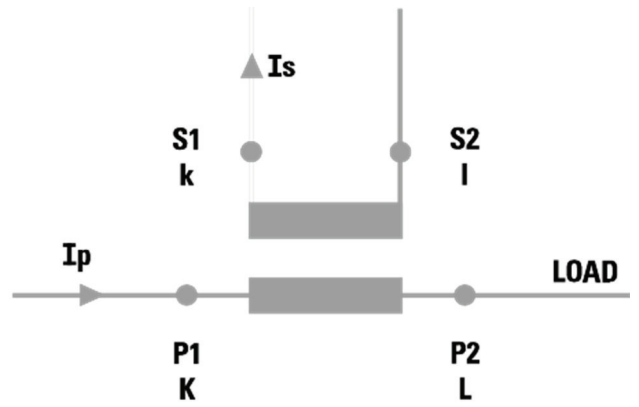
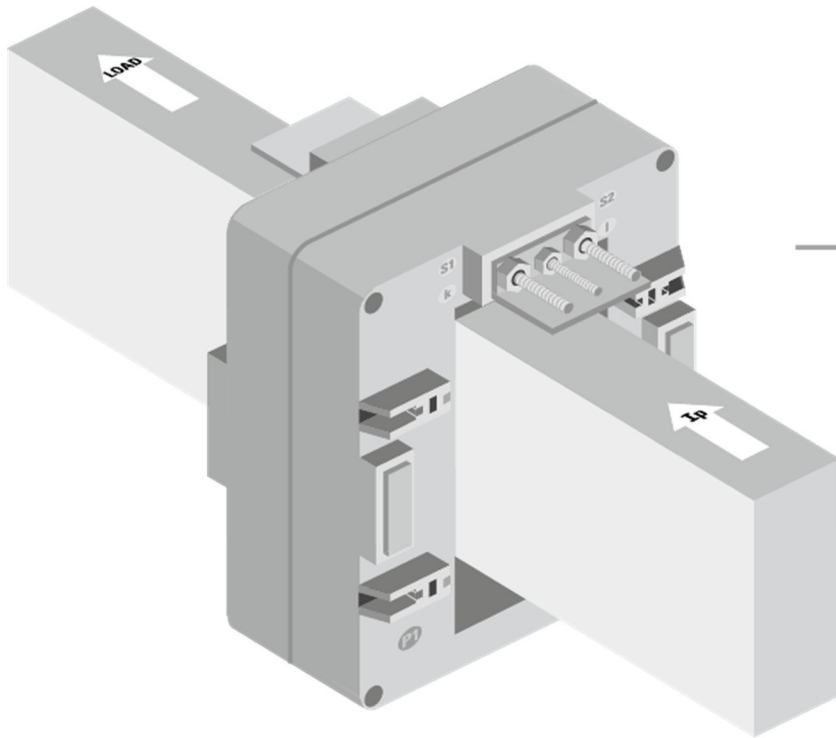
Catalogue No: **TAS65 1200/1A**

CT 1200/1A TASL10D120

Energy Management and Building Automation > Energy Management and Metering > Transducers and Transformers > IME Transformers > Busbar type Current Transformers > TAS65



Dimension Diagram



Connection / Wiring Diagram