



Temporary Site Power Boards



- Standard versions
- Premium versions
- Custom options



Features

- ✓ Fully compliant with AS/NSZ3012
- ✓ Fixed cable hook
- ✓ Padlockable door
- ✓ Bottom entry for leads
- ✓ High visibility powder coated cabinet
- ✓ Strong and sturdy welded frame included
- ✓ Fits up to 6 x double GPOs
- ✓ Up to 13 poles of protection devices
- ✓ Option for 3 phase outlet with cover for mechanical protection
- ✓ Optional wheels

Single Phase 32A

TEMPST1PB

- ✓ 1 x 32A 1P MCB Main Switch
- ✓ 3 x Double 10A GPO
- ✓ 1 x Single 15A GPO

Single Phase 63A

TEMPST1PF

- ✓ 1 x 63A 1P MCB Main Switch
- ✓ 5 x Double 10A GPO
- ✓ 1 x Single 15A GPO
- ✓ Links for daisy chaining 35mm² cables

Three Phase 32A

TEMPST3PB

- ✓ 1 x 32A 3P MCB Main Switch
- ✓ 3 x Double 10A GPO
- ✓ 1 x Single 15A GPO

Three Phase 63A

TEMPST3PF

- ✓ 1 x 63A 3P MCB Main Switch
- ✓ 5 x Double 10A GPO
- ✓ 1 x Single 15A GPO
- ✓ 1 x 32A 5 Pin Weatherproof Outlet
- ✓ Links for daisy chaining 35mm² cables



Premium Power Board

Three Phase 63A

TEMPPR3PB

- ✓ 1 x 63A 3P MCB Main Switch
- ✓ 6 x Double Pole Switching DINMount 10A GPO
- ✓ 1 x Double Pole Switching DIN Mount 15A GPO
- ✓ 1 x RCBO for lighting including test point
- ✓ 1 x 32A 5 Pin Weatherproof Outlet
- ✓ Tunnel terminals for incoming and outgoing cables up to 35mm²

Three Phase 63A Plus

TEMPPR3PF

- ✓ 1 x 63A 3P MCB Main Switch
- ✓ 8 x Double Pole Switching DIN Mount 10A GPO
- ✓ 1 x Double Pole Switching DIN Mount 15A GPO
- ✓ 2 x RCBO for lighting including test point
- ✓ 1 x 32A 5 Pin Weatherproof Outlet
- ✓ Tunnel terminals for incoming and outgoing cables up to 35mm²
- ✓ 250A Loop Isolator



Features

- ✓ Fully compliant with AS/NSZ3012
- ✓ Height adjustable cable hook
- ✓ Padlockable door
- ✓ Bottom entry for leads
- ✓ High visibility powder coated cabinet
- ✓ Collapsible frame for easy transportation and storage in between projects
- ✓ Door with twin gas struts
- ✓ Fits up to 14 DIN mount double pole switching GPOs
- ✓ Up to 23 poles of protection devices
- ✓ Space for 2 x 3 phase outlets recessed for mechanical protection
- ✓ Separate compartment for incoming & outgoing cables and loop isolator
- ✓ Stand Tray can be used for drill battery chargers and similar



Spares & Accessories

IPD Part Number	Description
-----------------	-------------

SPARES - METAL PARTS FOR STANDARD BOARDS

TEMPST-W66COV	OPTION 3 PHASE OUTLET COVER FOR STANDARD BOARDS
TEMPST-WHEEL	OPTION WHEEL ACCESORY FOR STANDARD BOARDS
TEMPST-W66BLANK	SPARE W66 BLANKING PLATE + RUBBER GASKET
TEMPST-TIE	SPARE STAND TIE-OFF ROD
TEMPST-CABHOLDER	SPARE CABLE SUPPORT BAR

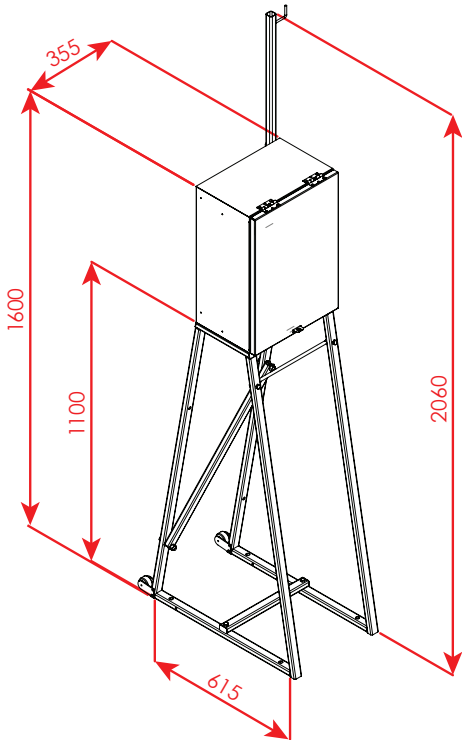
SPARES - METAL PARTS FOR PREMIUM BOARDS

TEMPPR-W66BLANK	SPARE W66 BLANKING PLATE + RUBBER GASKET
TEMPPR-TIE	SPARE STAND TIE-OFF ROD
TEMPPR-CABHOLDER	SPARE CABLE SUPPORT BAR

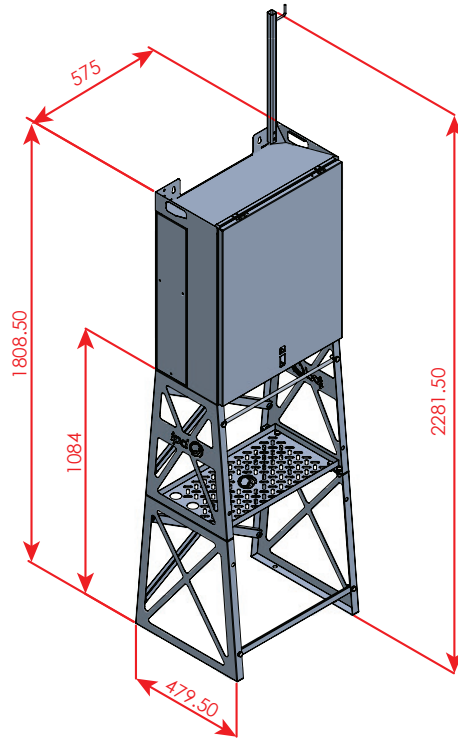
SPARES - ELECTRICAL COMPONENTS

DINGPO10	DIN MOUNT OUTLET 10A DOUBLE POLE SWITCHING DIN PROFILE
DINGPO15	DIN MOUNT OUTLET 15A DOUBLE POLE SWITCHING DIN PROFILE
DDM60C10/030	GE RCBO 6kA 2P 10A 30mA
DDM60C16/030	GE RCBO 6kA 2P 16A 30mA
DDM60C20/030	GE RCBO 6kA 2P 20A 30mA
DCG440/030	GE RCCB 6kA 4P 40A 30mA
W66SS520	SWITCHED OUTLET 5 ROUND PINS 20A GREY WITH SWITCH IP66
W66SS532	SWITCHED OUTLET 5 ROUND PINS 32A GREY WITH SWITCH IP66

Standard Power Board



Premium Power Board



National Customer Support Centre

Tel: 1300 556 601 Fax: 1300 550 187

Email: customerservice@ipdgroup.com.au

www.ipd.com.au

IPD Group Ltd. © Copyright 2017