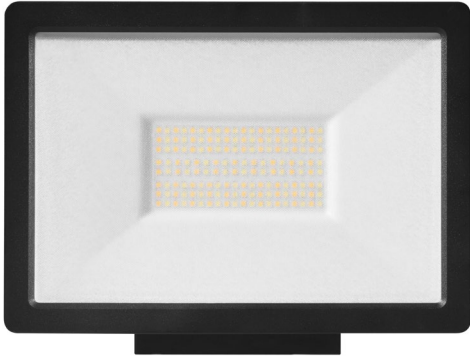


## 20W / 30W / 50W / 100W / 150W / 200W LED FLOOD LIGHT STANDARD AND PIR SENSOR

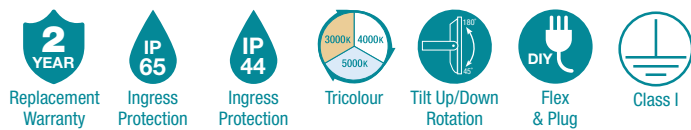


### Model Numbers

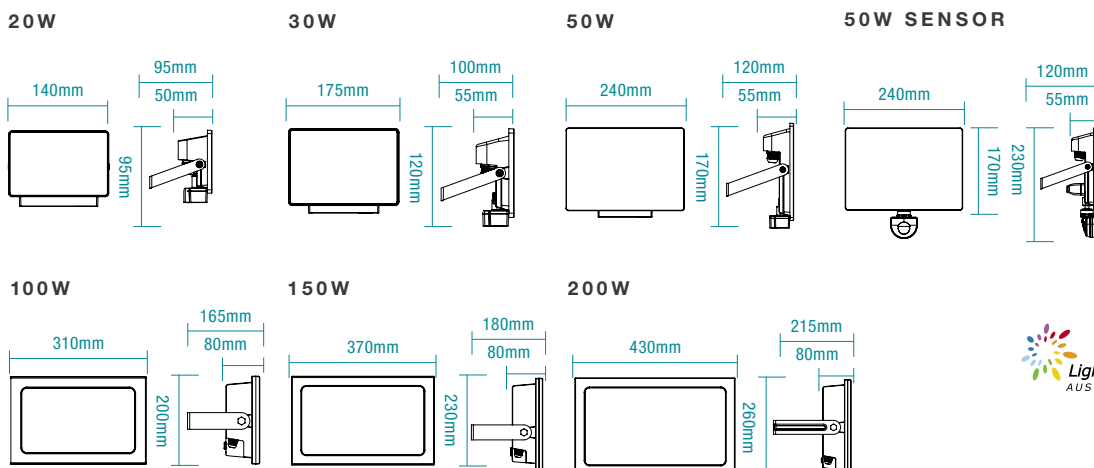
- MLXO34520M - Matt Black
- MLXO34530M - Matt Black
- MLXO34550M - Matt Black
- MLXO34550MS - Matt Black + Sensor
- MLXO345100M - Matt Black
- MLXO345150M - Matt Black
- MLXO345200M - Matt Black

### Features

- Modern designed floodlight for security lighting and safety
- Ideal solution for entrances, alfresco and exterior applications
- Aluminium housing with tempered glass
- Stainless steel angled bracket for easy installation
- 6 different sizes from 20W to 200W
- Switchable colour temperature 3000K, 4000K and 5000K
- Adjustable time delay, lux level and sensitivity (sensor model only)
- Pre-wired with 600m flex & plug



### DIMENSIONS



Aust/NZ Approval No.  
 SAA220552 (MLXO34520M, MLXO34530M & MLXO34550M)  
 SAA220655 (MLXO345100M, MLXO345150M & MLXO345200M)  
 SAA220656 (MLXO34550MS)

## 20W / 30W / 50W / 100W / 150W / 200W LED FLOOD LIGHT STANDARD AND PIR SENSOR

### SHIPPING

Model Numbers	Carton Size			Carton Quantity	Carton Gross Weight (Kg)
	H (mm)	W (mm)	L (mm)		
MLXO34520M	300	280	280	16	9.9
MLXO34530M	365	228	300	12	9.3
MLXO34550M	445	260	205	6	8
MLXO34550MS	432	262	258	6	8.6
MLXO345100M	372	330	250	4	12.3
MLXO345150M	395	190	300	2	7.7
MLXO345200M	455	190	325	2	10.3

### SPECIFICATIONS

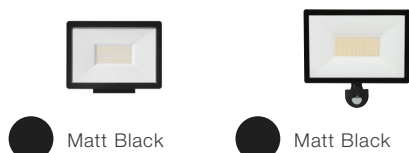
<b>Model Name</b>	Opal
<b>Model Numbers</b>	<b>Power Wattage</b>
MLXO34520M	20W
MLXO34530M	30W
MLXO34550M	50W
MLXO34550MS	50W Sensor
MLXO345100M	100W
MLXO345150M	150W
MLXO345200M	200W
<b>Voltage</b>	220-240 50Hz
<b>Materials / Housing</b>	Aluminium housing
<b>Colour Temperature</b>	3000K / 4000K / 5000K
<b>Model Numbers</b>	<b>Lumens Output</b>
MLXO34520M	1600lm / 2000lm / 1700lm
MLXO34530M	2700lm / 3000lm / 2800lm
MLXO34550M	4700lm / 5000lm / 4900lm
MLXO34550MS	4700lm / 5000lm / 4900lm
MLXO345100M	8900lm / 10000lm / 9400lm
MLXO345150M	12700lm / 15000lm / 13200lm
MLXO345200M	16700lm / 20000lm / 17700lm
<b>IP Rating</b>	IP65 IP44 (MLXO34550MS)
<b>Beam Angle</b>	100°
<b>CRI</b>	Ra>80
<b>Rated Lifetime</b>	30,000 hours @ Ta25°C
<b>Sensor</b>	PIR (sensor model only)
<b>Detection Range</b>	120° up to 10M (sensor model only)

### INSTALLATION

<b>Installation</b>	By licensed electrician only
<b>Warranty</b>	2 year replacement warranty

\*For further information regarding warranty terms and conditions, please refer to enclosed warranty statement.  
Warranty is void unless installed by a licensed electrician.

### AVAILABLE COLOURS



Model	Colour	Barcode
MLXO34520M	Matt Black	9 312375 506256
MLXO34530M	Matt Black	9 312375 506300
MLXO34550M	Matt Black	9 312375 506317

Model	Colour	Barcode
MLXO34550MS	Matt Black	9 312375 506324
MLXO345100M	Matt Black	9 312375 506355
MLXO345150M	Matt Black	9 312375 506362
MLXO345200M	Matt Black	9 312375 506379