

Water Level Sensors

Stainless Steel Magnetic Float Switch



The Range

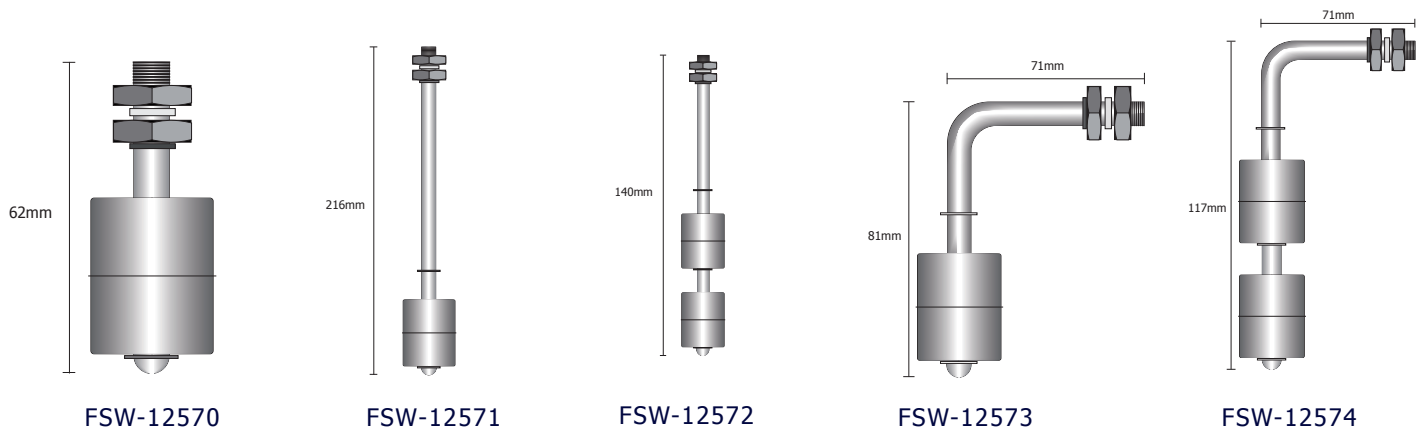
CODE	DESCRIPTION
FSW-12570	Short Stem Single Vertical Magnetic Float Switch
FSW-12571	Long Stem Single Vertical Magnetic Float Switch
FSW-12572	Long Stem Dual Vertical Magnetic Float Switch
FSW-12573	Side Mounted Single Magnetic Float Switch
FSW-12574	Side Mounted Dual Magnetic Float Switch

Features

- Single & Dual Point Options
- Magnetic Reed Switch Technology
- High Reliability / Repeatability Standards
- Direct Interface to Controllers
- High Temperature Rating (to 105°C)
- High Pressure Rating (to 200 PSIG)
- Suitable for Corrosive Conditions

Specifications

Max Contact Rating	50W
Max Switching Voltage	24V DC
Max Switching Current	1.5A
Max Breakdown Voltage	300V DC
Max Carry Current	3.0A
Max Contact Resistance	100mΩ
Temperature Rating	-10 to +105°C
Float Material	316SS
Float Stem/Body Material	316SS
Float SG	0.70
Float Dimensions	28mm(W)x26mm(H)
Dual Float Differential	36mm



Commonly used in food processing, medical, heating, and cooling equipment