

Catalogue No: **MOR400-05R**

BEACON ROTATING E14-60W IP65 230V AC RED

Signalling Devices > Sight Indication > Beacons > Moflash Beacons > Filament Beacons > MOR400 Series - Rotating filament beacons



Representative Photo Only
(actual product may vary based on configuration selections)

Rotating 60W Filament Beacon 230V AC - Red Lens

- Complete visual signalling range from high efficiency static or flashing LED's to high discharge Xenon beacons to rotating parabolic reflector beacons, we have the solution suitable for your application.
- Available in a variety of frame sizes and with accessories such as protective cages and brackets to cater to your mounting requirements.
- Multiple colour varieties available including Red, Green, Amber and Blue to convey whichever message is required.

SPECIFICATIONS

Product Series	R400 / 401
Indication Mode(s)	Sight
Lamp Type	Incandescent type
Illumination Mode	Rotating
Speed, Rotation	120 RPM
Lamp Power, Max	60 W max
Colour, Lens	Red colour
Material, Lens	PC (Polycarbonate) - UV Stabilised
Un, Nominal Operational Voltage, AC	230 V AC
Input Frequency, Nom	50 Hz
Ie, Rated Operational Current, nom	0.29 A,nom
Ie, Rated Operational Current, nom	0.29 A,nom
Material, Base	ABS (Acrylonitrile Butadiene Styrene) - UV Stabilised
Colour, Base	Black base
Connection / Termination	Fixed (non-removable) Terminal Block
Number of Terminals	2 qty
Wire / Conductor Size (Max)	2.5 mm ²
Mounting, Terminal Block	Internal Mount
IP Rating	IP65
Mounting (Multiple)	Surface Mount Wall Mount
Height	205 mm
Diameter, External	150 mm
Weight	0.98 kg
Operating Temperature, Min	-10 °C min
Operating Temperature, Max	55 °C max
Certifications	CE C-Tick RoHS

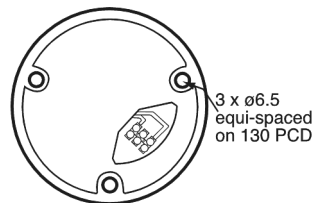
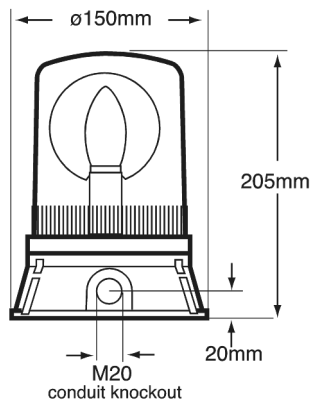
Catalogue No: MOR400-05R

BEACON ROTATING E14-60W IP65 230V AC RED

Signalling Devices > Sight Indication > Beacons > Moflash Beacons > Filament Beacons > MOR400 Series - Rotating filament beacons



REFERENCES	
IECEX Certificate	-
Supplier Declaration of Conformity:	-
Installation Guide:	MOR400-05R_Installation Instructions
User Manual:	-
Manufacturer Datasheet:	MOR400-05R_Manufacturer Datasheet
Manufacturer Catalogue & Product Selection:	MOR400-05R_Manufacturer Catalogue



Dimension Diagram