

**NEPTUNE 200**

**FEATURES:**

- Die cast aluminium housing
- Fully coated with epoxy polyester powder creating high resistance to atmospheric agents and corrosion
- Wide beam symmetric light distribution
- Anodised aluminium reflector
- Heat tempered protective glass in drop down frame with stainless steel fasteners
- Hermetic belt of heat resisting silicone
- Designed for easy installation and maintenance

**APPLICATION:**

- Suitable for floodlight of parks, buildings, advertising board and as perimeter security

**TECHNICAL DATA:**

**Body :** Made from injected die cast aluminium.  
**Reflector :** Hammer tone oxidised aluminium.  
**Paintwork :** Fully coated with a high gloss white epoxy polyester powder, giving resilient finish.  
**Light Source :** Metal Halide discharge lamp.  
**Electrical data :** 240V, 50Hz  
**Wire :** High temperature resistant  
**Ballast :** Polyester vacuum impregnated  
**Condenser :** Metalised polypropylene film.  
**Ignitor :** Pulse ignitor.  
**Lampholder :** Ceramic E40

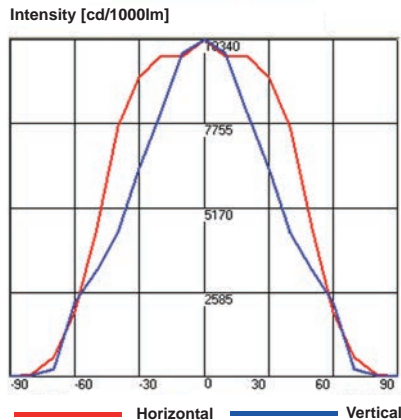
**Optional Components:**

Wire guard  
 High pressure sodium lamps and gear



Manufactured to standards - AS/NZS 60598.1.0  
 AS/NZS 60598.2.1  
 AS/NZS 60598.2.2  
 CISPR15

# Polar Diagram Neptune 200 / C-Plane Measurement



## TM 10 Unified Glare Ratios

Ceiling reflectance	0.7	0.7	0.5	0.5	0.3	0.7	0.7	0.5	0.5	0.3	
Wall reflectance	0.5	0.3	0.5	0.3	0.3	0.5	0.3	0.5	0.3	0.3	
Floor cavity reflectance	0.2	0.2	0.2	0.2	0.2	0.2	0.2	0.2	0.2	0.2	
Room dimension	Viewed crosswise					Viewed endwise					
2H	2H	14.9	16.5	15.4	16.9	17.4	16.0	17.5	16.5	18.0	18.4
2H	3H	15.6	16.9	16.1	17.4	17.9	17.4	18.7	17.9	19.2	19.7
2H	4H	15.6	16.7	16.2	17.3	17.8	17.5	18.6	18.1	19.2	19.7
2H	6H	15.5	16.5	16.1	17.1	17.6	17.5	18.5	18.0	19.0	19.6
2H	8H	15.5	16.4	16.1	17.0	17.6	17.4	18.4	18.0	18.9	19.5
2H	12H	15.5	16.3	16.1	16.9	17.5	17.4	18.3	18.0	18.8	19.5
4H	2H	15.0	16.4	15.5	16.8	17.3	15.9	17.3	16.5	17.8	18.3
4H	3H	15.7	16.8	16.2	17.3	17.8	17.4	18.5	18.0	19.0	19.6
4H	4H	15.7	16.6	16.3	17.2	17.8	17.5	18.4	18.1	19.0	19.6
4H	6H	15.6	16.4	16.2	17.0	17.6	17.5	18.2	18.1	18.8	19.5
4H	8H	15.6	16.3	16.3	16.9	17.6	17.5	18.2	18.2	18.8	19.4
4H	12H	15.6	16.1	16.3	16.8	17.4	17.5	18.1	18.2	18.7	19.3
8H	4H	15.6	16.4	16.2	17.0	17.6	17.4	18.2	18.0	18.8	19.4
8H	6H	15.6	16.2	16.2	16.8	17.5	17.4	18.1	18.1	18.7	19.3
8H	8H	16.6	16.6	16.6	16.6	16.6	18.5	18.5	18.5	18.5	18.5
8H	12H	15.5	15.5	15.5	15.5	15.5	17.4	17.4	17.4	17.4	17.4
12H	4H	15.6	16.4	16.2	16.9	17.6	17.4	18.2	18.0	18.7	19.4
12H	6H	15.6	16.2	16.3	16.8	17.4	17.5	18.0	18.1	18.6	19.3
12H	8H	16.5	16.5	16.5	16.5	16.5	18.4	18.4	18.4	18.4	18.4

Photometry result or data are available for interior lux calculation upon request.

Photometry achieved by Sirijaya Industries own Goniophotometer.

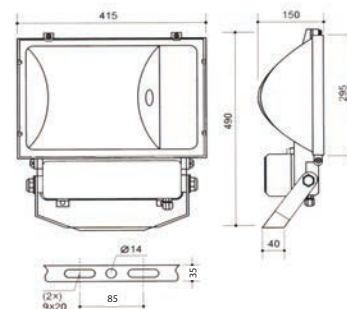
## Ordering data

### Model No.

NEPTUNE 200.250MH  
NEPTUNE 200.400MH  
NEPTUNE 200.250SON  
NEPTUNE 200.400SON

Note : Subjected to +/- 1.0mm

## Dimension



\*Specification and materials subject to changes without prior notice.

**PACIFIC**  
LIGHTING PTY. LTD.

### (Head Office & Queensland)

Pacific Lighting Pty Ltd  
41-43 Nealdon Drive,  
Meadowbrook, 4131,  
Queensland, Australia  
Tel: 61-7-3200 6388  
Fax: 61-7-3200 6399  
Email: salesadmin@pacificlighting.com.au  
Website: www.pacificlighting.com.au

### (New South Wales)

Pacific Lighting Pty Ltd  
1/9 Enterprise Place,  
Wetherill Park, 2164,  
New South Wales, Australia  
Tel: 02 8203 4299  
Fax: 02 8203 4290

### (Victoria)

Pacific Lighting Pty Ltd  
72-76 Nissan Drive,  
Dandenong, 3175,  
Victoria, Australia  
Tel: 03 9706 8766  
Fax: 03 9794 9132

### (Western Australia)

Pro-lamps Pty Ltd  
109-111 Abernethy Road,  
Belmont, Western Australia,  
6104, Australia  
Tel: 08 9479 7711  
Fax: 08 9479 7709

