

Spec Sheet: IEC309 Switched Socket, Horizontal 16A

**Part Numbers**

Part Number	Description
<b>EU67HSS316</b>	IEC309 16A 3 Pin switched socket outlet with plug interlocking, IP67
<b>EU67HSS416</b>	IEC309 16A 4 Pin switched socket outlet with plug interlocking, IP67
<b>EU67HSS516</b>	IEC309 16A 5 Pin switched socket outlet with plug interlocking, IP67

**Specification**

**Housing**

IP	67	
Colour	Light grey	
Material	Polycarbonate	
UV Stabilised	Yes	
Switch / Plug interlocking	Yes	
Conductor cross sectional area	1.5 - 4mm <sup>2</sup>	
Weight	0.8kg	
Earth Pin Location	3P	6h
	4P	6h
	5P	6h

**Dimensions**

**H x W x D**

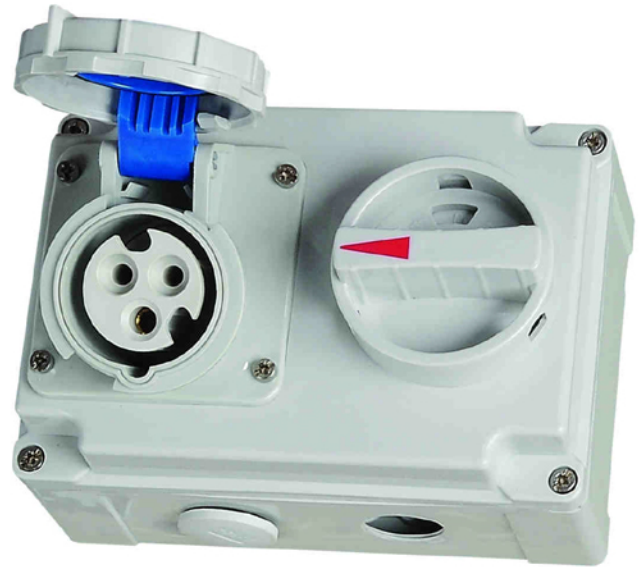
3P, 4P and 5P	170 x 118 x 143mm
---------------	-------------------

**Gland Entry sizes**

3P, 4P and 5P	<b>Top:</b>	2 x M25
	<b>Bottom:</b>	2 x M25
Included	1 x M32 gland	
Maximum Cable diameter	18mm	

**Standard**

IEC 60309-2



EU67HSS316

**Related Products**

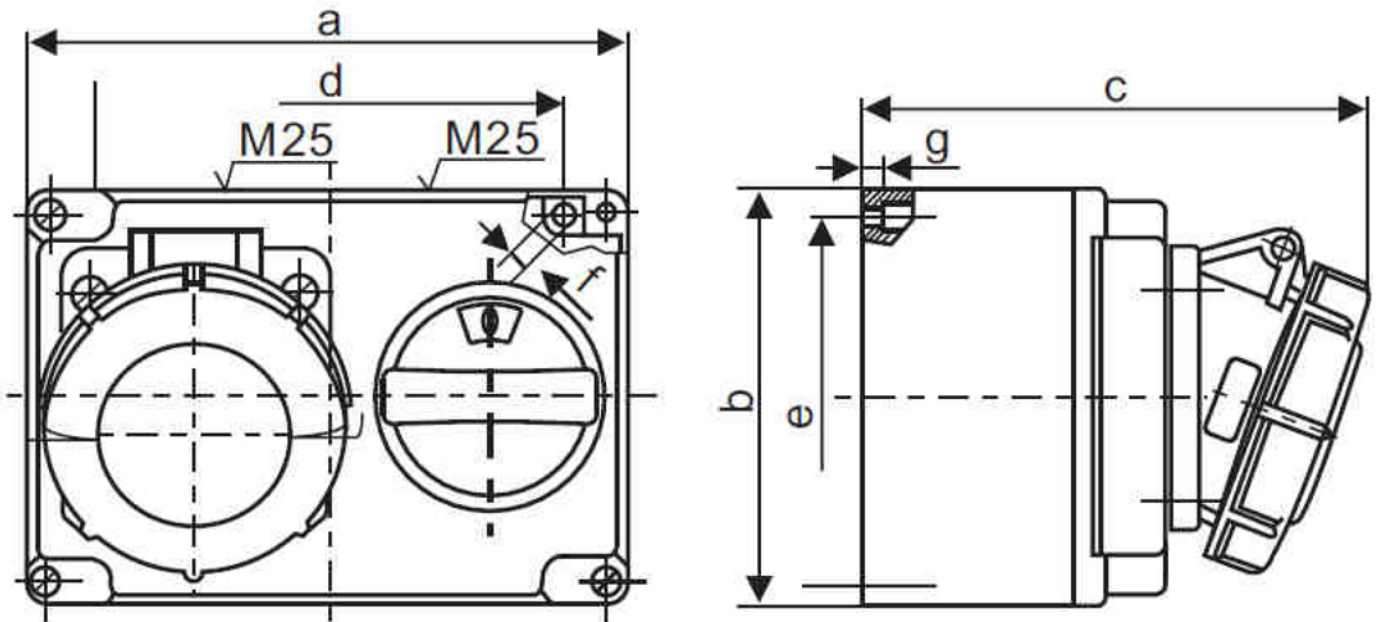
**Plugs**

<b>EU67P316</b>	IEC309 16A 3 Pin straight plug IP67
<b>EU67P416</b>	IEC309 16A 4 Pin straight plug IP67
<b>EU67P516</b>	IEC309 16A 5 Pin straight plug IP67



EU67P316

**Dimensions**



No Poles	a	b	c	d	e	f	g
3P	170	118	136	136	104	6.1	6
4P	170	118	139	136	104	6.1	6
5P	170	118	143	136	104	6.1	6

## Spec Sheet: IEC309 Switched Socket 16A – IP67

### Part Numbers

Part Number	Description
<b>EU67SS316</b>	IEC309 16A 3 Pin switched socket outlet with plug interlocking, IP67
<b>EU67SS416</b>	IEC309 16A 4 Pin switched socket outlet with plug interlocking, IP67
<b>EU67SS516</b>	IEC309 16A 5 Pin switched socket outlet with plug interlocking, IP67

### Specification

#### Housing

IP	67	
Colour	Blue (230V) Red (400V)	
Material	Polycarbonate	
UV Stabilised	Yes	
Switch / Plug interlocking	Yes	
Conductor cross sectional area	1.5 - 4mm <sup>2</sup>	
Weight	1.2kg	
Earth Pin Location	3P	6h
	4P	6h
	5P	6h

#### Dimensions

	H x W x D
3P, 4P and 5P	259 x 118 x 147mm

#### Gland Entry sizes

3P, 4P and 5P	<b>Top:</b> 2 x M32
	<b>Bottom:</b> 2 x M25
Included	1 x M32 gland
Maximum Cable diameter	25mm

#### Standard

IEC 60309-2

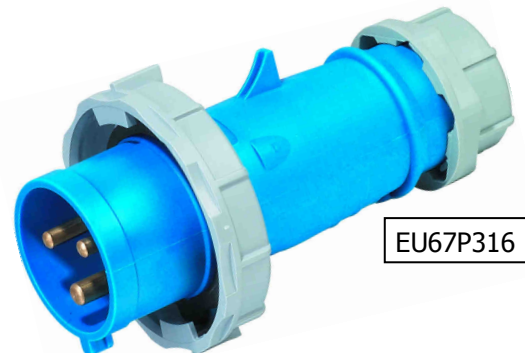


EU67SS516

### Related Products

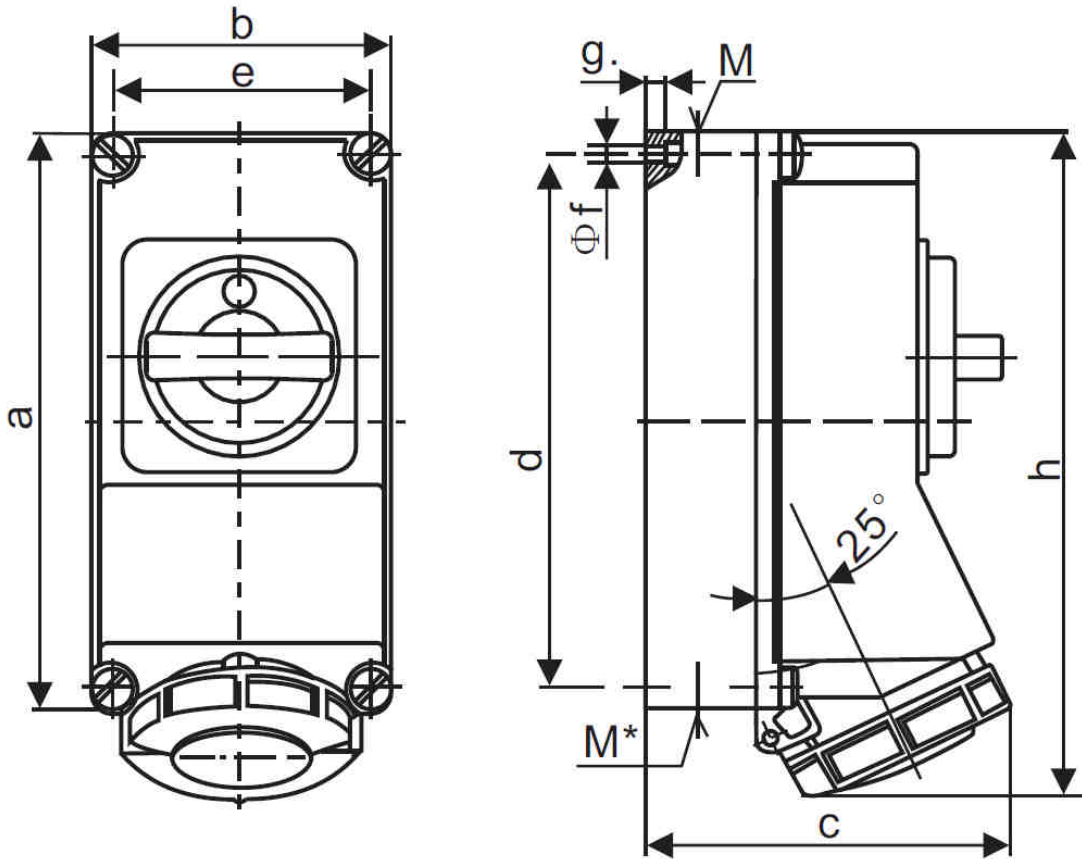
#### Plugs

<b>EU67P316</b>	IEC309 16A 3 Pin straight plug IP67
<b>EU67P416</b>	IEC309 16A 4 Pin straight plug IP67
<b>EU67P516</b>	IEC309 16A 5 Pin straight plug IP67



EU67P316

## Dimensions



No Poles	a	b	c	d	e	f	g	h	m	m*
3P	225	118	144	208	101	6.3	8	252	2 x M32	2 x M25
4P	225	118	146	208	101	6.3	8	255	2 x M32	2 x M25
5P	225	118	147	208	101	6.3	8	269	2 x M32	2 x M25

## Spec Sheet: IEC309 Switched Socket 32A – IP67

### Part Numbers

Part Number	Description
<b>EU67SS332</b>	IEC309 32A 3 Pin switched socket outlet with plug interlocking, IP67
<b>EU67SS432</b>	IEC309 32A 4 Pin switched socket outlet with plug interlocking, IP67
<b>EU67SS532</b>	IEC309 32A 5 Pin switched socket outlet with plug interlocking, IP67

### Specification

#### Housing

IP	67	
Colour	Blue (230V) Red (400V)	
Material	Polycarbonate	
UV Stabilised	Yes	
Switch / Plug interlocking	Yes	
Conductor cross sectional area	2.5 - 10mm <sup>2</sup>	
Weight	1.3kg	
Earth Pin Location	3P	6h
	4P	6h
	5P	6h

#### Dimensions

	H x W x D
3P, 4P and 5P	274 x 118 x 163mm

#### Gland Entry sizes

3P, 4P and 5P	<b>Top:</b> 2 x M32
	<b>Bottom:</b> 2 x M25
Included	1 x M32 gland
Maximum Cable diameter	25mm

#### Standard

IEC 60309-2

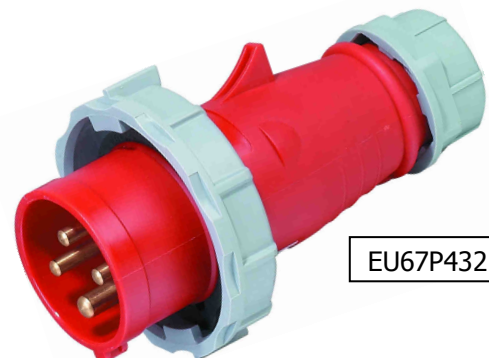


EU67SS532

### Related Products

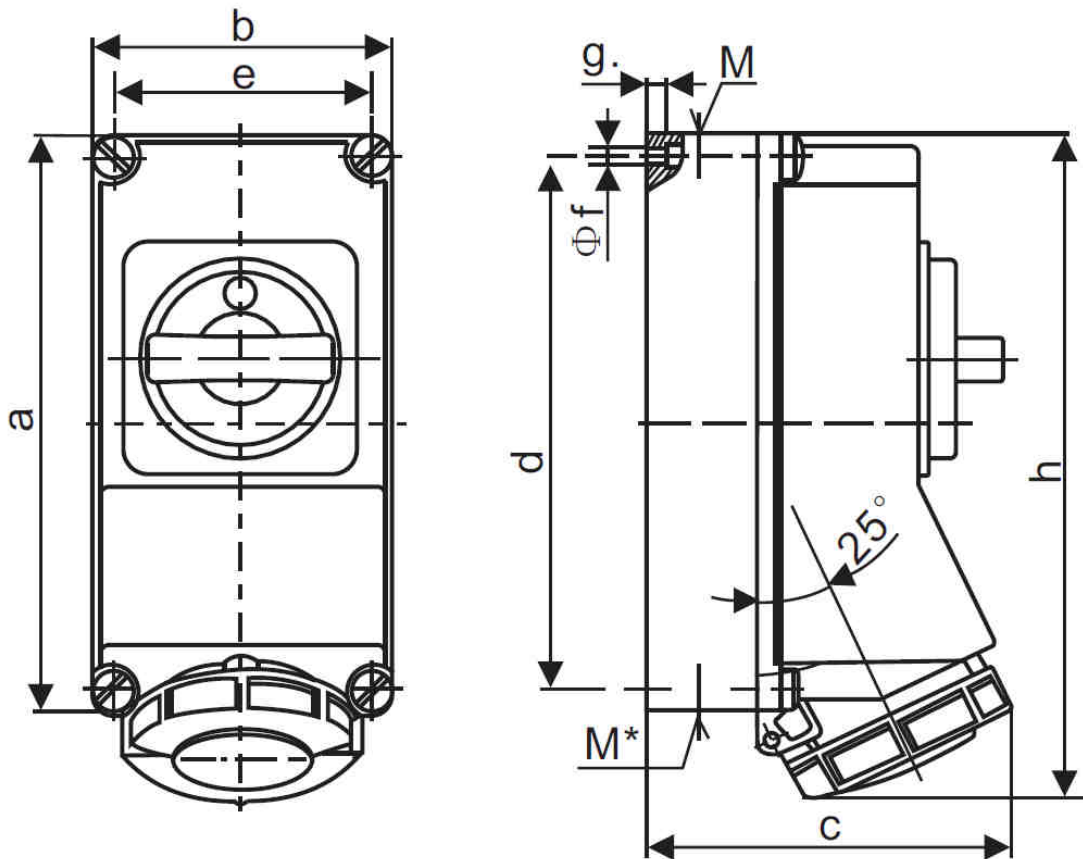
#### Plugs

<b>EU67P332</b>	IEC309 32A 3 Pin straight plug IP67
<b>EU67P432</b>	IEC309 32A 4 Pin straight plug IP67
<b>EU67P532</b>	IEC309 32A 5 Pin straight plug IP67



EU67P432

## Dimensions



No Poles	a	b	c	d	e	f	g	h	m	m*
3P	225	118	152	208	101	6.3	8	268	2 x M32	2 x M25
4P	225	118	152	208	101	6.3	8	268	2 x M32	2 x M25
5P	225	118	152	208	101	6.3	8	274	2 x M32	2 x M25

## Spec Sheet: IEC309 Switched Socket 63A – IP67

### Part Numbers

Part Number	Description
<b>EU67SS363</b>	IEC309 63A 3 Pin switched socket outlet with plug interlocking, IP67
<b>EU67SS463</b>	IEC309 63A 4 Pin switched socket outlet with plug interlocking, IP67
<b>EU67SS563</b>	IEC309 63A 5 Pin switched socket outlet with plug interlocking, IP67

### Specification

#### Housing

IP	67	
Colour	Blue (230V) Red (400V)	
Material	Polycarbonate	
UV Stabilised	Yes	
Switch / Plug interlocking	Yes	
Conductor cross sectional area	6 – 25mm <sup>2</sup>	
Weight	1.9kg	
Earth Pin Location	3P	6h
	4P	6h
	5P	6h

#### Dimensions

#### H x W x D

3P, 4P and 5P	300 x 163 x 196mm
---------------	-------------------

#### Gland Entry sizes

3P, 4P and 5P	Top: 1 x M40
	Bottom: 2 x M40
Included	1 x M40 gland
Maximum Cable diameter	32mm

#### Standard

IEC 60309-2

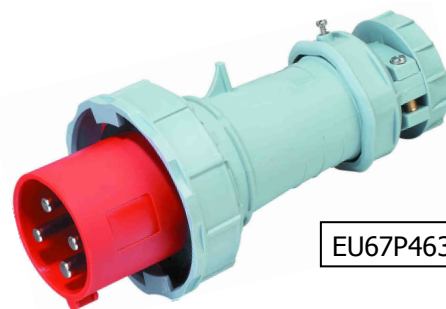


EU67SS563

### Related Products

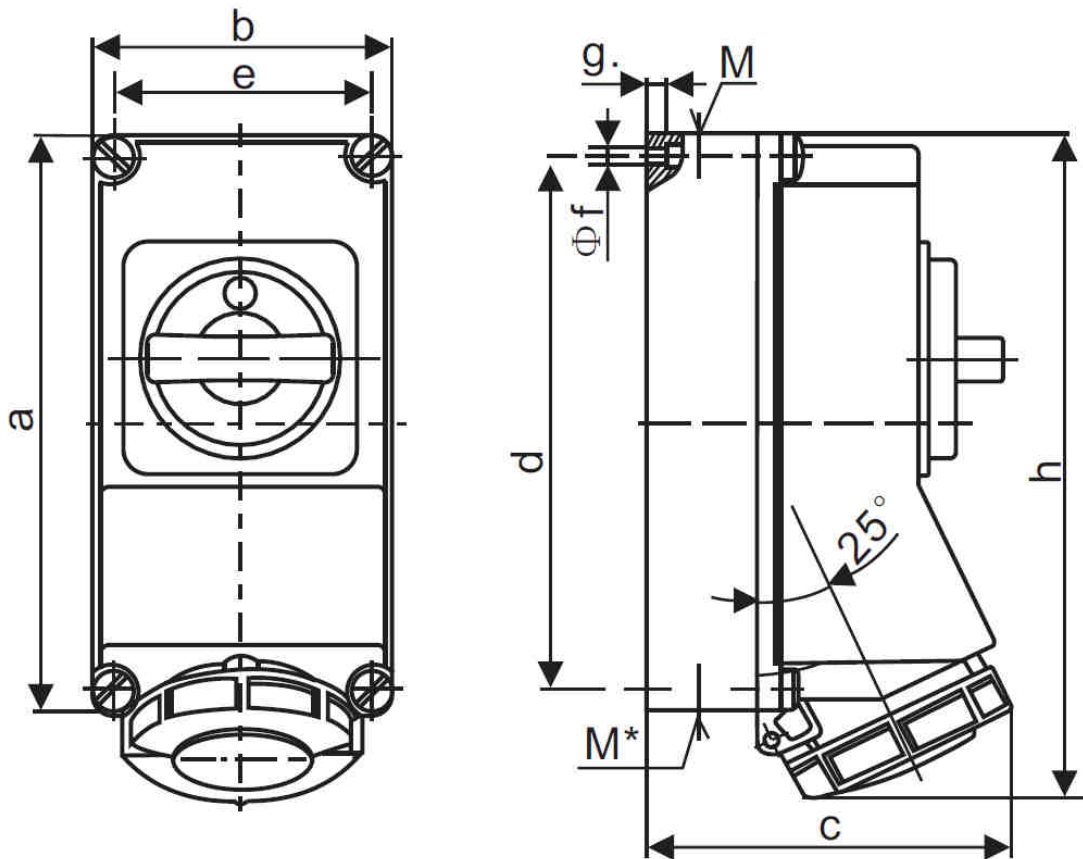
#### Plugs

<b>EU67P363</b>	IEC309 63A 3 Pin straight plug IP67
<b>EU67P463</b>	IEC309 63A 4 Pin straight plug IP67
<b>EU67P563</b>	IEC309 63A 5 Pin straight plug IP67



EU67P463

## Dimensions



No Poles	a	b	c	d	e	f	g	h	m	m*
3P	264	163	196	240	140	8.1	8	300	1 x M40	2 x M40
4P	264	163	196	240	140	8.1	8	300	1 x M40	2 x M40
5P	264	163	196	240	140	8.1	8	300	1 x M40	2 x M40

## Spec Sheet: IEC309 Switched Socket 125A – IP65

### Part Numbers

Part Number	Description
<b>EU67SS3125</b>	IEC309 125A 3 Pin switched socket outlet, IP65
<b>EU67SS4125</b>	IEC309 125A 4 Pin switched socket outlet, IP65
<b>EU67SS5125</b>	IEC309 125A 5 Pin switched socket outlet, IP65

### Specification

#### Housing

IP, Enclosure	66
IP, Handle	65
Colour	Blue (230V) Red (400V)
Material	Reinforced polyester
UV Stabilised	Yes
Switch / Plug interlocking	No
Conductor cross sectional area	Up to 50mm <sup>2</sup>
Incl. switched neutral	all Yes
Earth terminal	all 10mm <sup>2</sup>
Weight	all 6.2kg

#### Dimensions

#### H x W x D

All	500 x 315 x 170mm
-----	-------------------

#### Gland Entry

Enclosure, Top	170 x 120mm
Maximum Cable diameter	No limited

#### Standard

IEC 60309-2

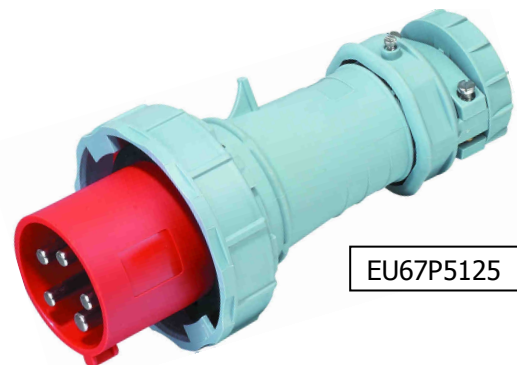


EU67SS5125

### Related Products

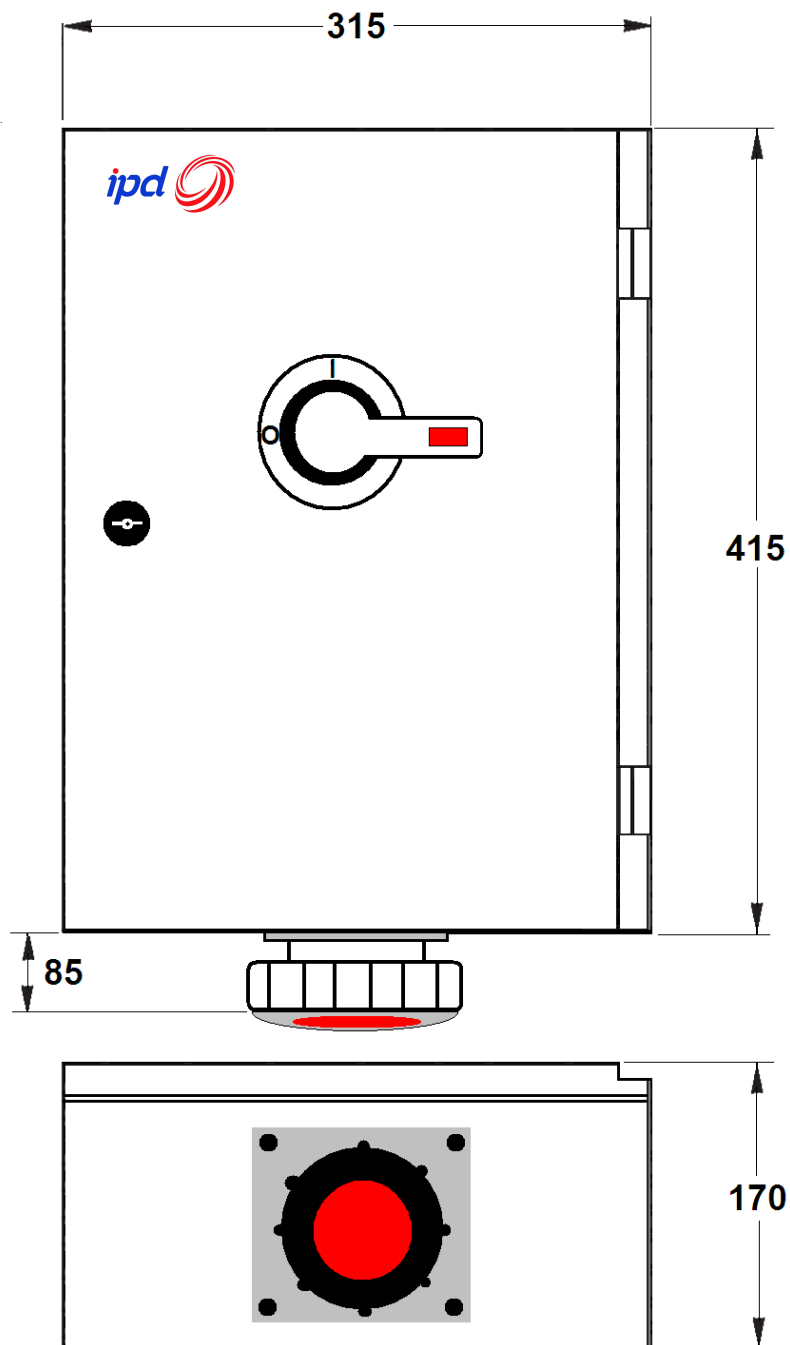
#### Plugs

<b>EU67P3125</b>	IEC309 125A 3 Pin straight plug IP67
<b>EU67P4125</b>	IEC309 125A 4 Pin straight plug IP67
<b>EU67P5125</b>	IEC309 125A 5 Pin straight plug IP67



EU67P5125

## Dimensions



## IEC 309 Industrial Switchgear

The IPD **EU67** series is an International range of industrial plugs and sockets from 16A up to 125A. The range meets a degree of protection of up to IP67.

This degree of protection provides excellent resistance to all types of environmental conditions.

The IPD **EU67** series can be used in a wide variety of applications

- IT data centers
- Food industry hose down areas
- Sporting complexes
- Heavy and light industry
- Airports, mobile or portable equipment
- Marine such as Quays, Docks, Piers and refrigerated containers (special 3h)
- Agriculture pumping and drying equipment



### **Quality / Standards:**

Technical performance of the **EU67** series of plugs and sockets complies with IEC 60309 parts 1 and parts 2. Part 1 of the Standard is general requirements with Part 2 covering dimensional interchangeability of pins and configurations. The main purpose of these standards is to prevent accidental or deliberate misalignment of plugs and sockets which could lead to personal or equipment harm.

For quality management the **EU67** series is manufactured under ISO 9001:2000 International Standards for Quality Assurance.

### **Range:**

IPD offers a complete range of:

- Plugs and extension sockets 16A to 125A.
- Appliance inlets 16A to 125A
- Reefer container Plugs, Ext Sockets and Switched Sockets
- Wall sockets outlets 16A to 125A
- Panel Sockets straight and angled 16A to 125A
- Switched sockets outlets 16A to 125A

### **Protection Degree:**

The standard sets a rating for appliances which is based on their degree of protection against the ingress of liquid or solid objects. For the EU67 series it achieves a protection level of IP67.

IP67 – Plugs and sockets protected the effects of immersion, fitted with a locking ring with bayonet coupling

The testing is carried out with:

- On sockets with the lid closed or plug fully inserted
- On plugs, when fully inserted into the socket

## Design:

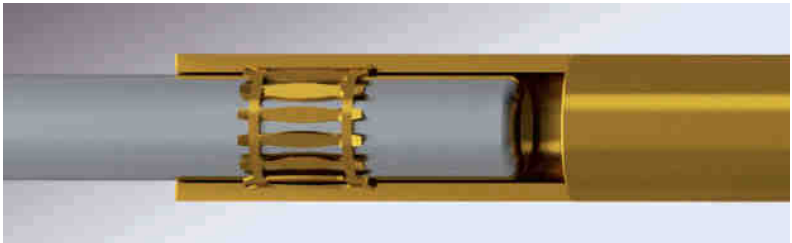
### 63A Contacts

- Soft contact design
- Self-cleaning
- Good electrical characteristics
- Reduced friction
- Easy to plug-in



### 125A Contacts

- Cage-type spring contact
- Self-cleaning
- Good electrical characteristics
- Reduced friction
- Easy to plug-in



### Cable gland

- Self-adjusting flange
- Wide range of cable diameters
- High IP rating



## Safety / Installation

- Installation by qualified personnel only.
- Strip and prepared cable ends for termination in screw terminals.
- Terminals should be tight to prevent overheating.
- Regular inspection by suitable qualified personnel.
- Replace worn or damaged parts.
- Ensure gaskets are fitted correctly to ensure a good seal to maintain IP rating.
- Glue unused entries to maintain IP rating.

## Definitions:



### Plug

The part fixed or designed to be fixed to the end of a flexible cable, which is attached to an appliance or to a connector.



### Extension Socket

The part fixed or designed to be fixed to the end of a flexible cable.



**Socket**

The panel mount part designed to be connected to an electric circuit, angled or straight connections.



**Socket, wall**

The panel mount part designed to be connected to an electric circuit, surface mounting.



**Switched Sockets**

As the name suggests a combination of a load break switch and a interlocked socket outlet. Plug must be inserted before the switch can be turned on, safety feature.



**Appliance inlet**

The panel mount part built into or fastened to an appliance, designed to accept extension sockets.



**Reefer**

Common word for Refrigerated Shipping Containers. These plugs and sockets have earth pin at 3H (3 o'clock) so cannot be interchanged with standard industrial range which have the earth at 6 o'clock (6H).

**Electrical Characteristics:**

Insulation voltage:	<b>500V 50-60Hz</b>
Testing:	<b>CE certification China Quality Certification Centre Beijing.</b>
Standards:	<b>IEC 309-1 IEC 309-2 IEC 947-3 (switch)</b>

**Materials Specification:**

Pins:	<b>Nickel plated brass</b>
Socket:	<b>Brass</b>
Housing:	<b>Self-extinguishing thermo plastic</b>
Seal:	<b>Non-ageing EPDM</b>
External Screws:	<b>Stainless Steel</b>

**Options:**

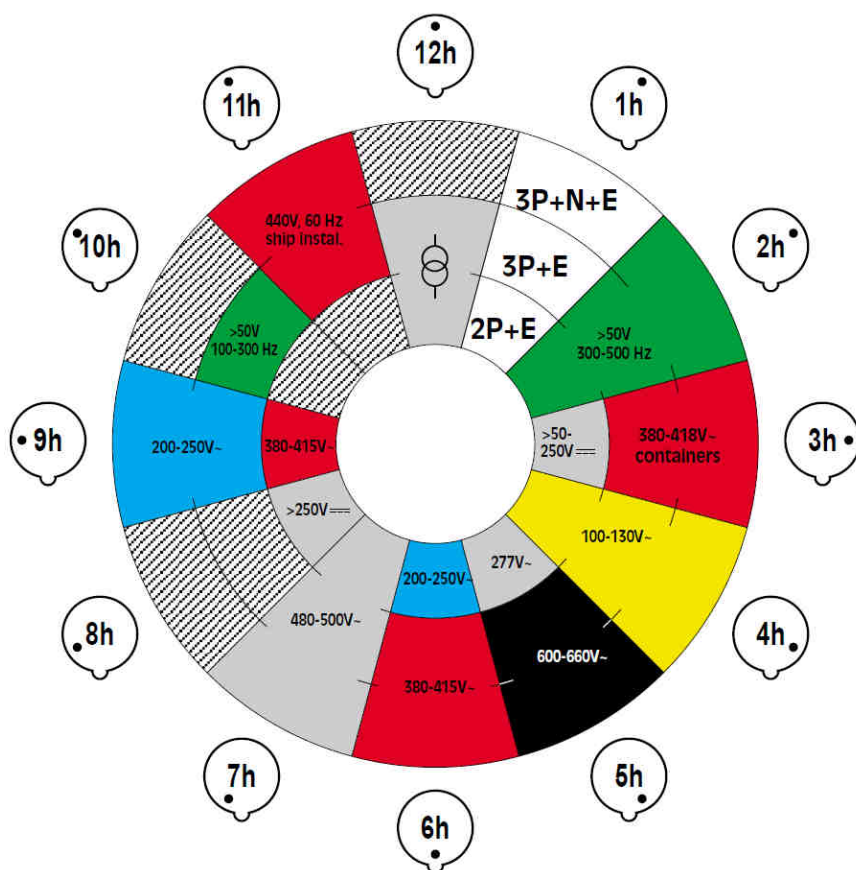
Available on request, optional multiple outlets designs with MCB or RCD protection. Mounting in GE's APO series enclosures the multi-series provide high IP with the safety of RCD protection.

Ask your IPD rep for details.....

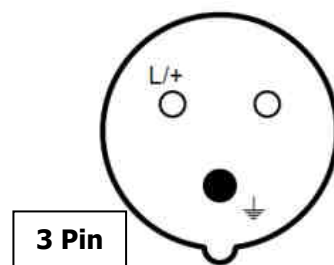


**Pin Configuration:**

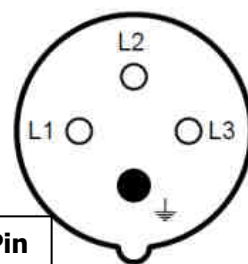
Viewing the socket from the front, the clock face position H is established by observing the position of the earth contact with respect to the major keyway which is situated at 6 O'clock.



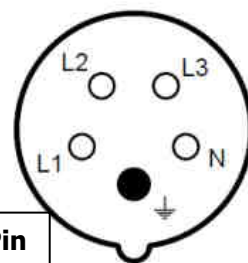
**Socket (front)**



**3 Pin**



**4 Pin**



**5 Pin**