



Head Office

40 Biloela Street
Villawood NSW 2163
T +612 9723 3099
F +612 9724 1899

Victoria

46-48 Keys Road
Moorabbin VIC 3189
T +613 9532 3168
F +613 9532 1838

Queensland

13/258 Musgrave Road
Coopers Plains QLD 4108
T +617 3276 8897
F +617 3277 8817

WA Agencies

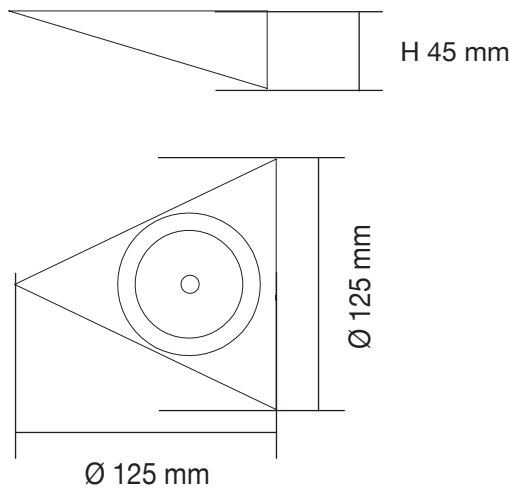
Delta Lighting System
15 Hunt St. Malaga WA 6090
T +618 9249 4447
F +618 9249 2776



S9105 ST ANOVA



DIMENSIONS



FEATURES

- LED cabinet downlight
 - Pressed steel surface mounted can
 - Die-cast aluminium body
 - Powder coated finish
 - Super bright SMD LED chip
 - 12V LED driver required
- **COLOUR TEMPERATURE**
3000K WARM WHITE
6000K DAYLIGHT
 - **FITTING COLOUR**
White or Satin Nickel

TECHNICAL SPECIFICATIONS

Model No.	Input Voltage	Power	Luminous Flux	Beam Angle	Colour Temp	CRI (Ra)	Dimmable	Dimensions L x W x H	Fitting Colour
S9105WW ST/WH	12V DC	4W	280lm	90°	3000K	>80	No	125 x 125 x 45 mm	White
S9105DL ST/WH	12V DC	4W	280lm	90°	6000K	>80	No	125 x 125 x 45 mm	White
S9105WW ST/SN	12V DC	4W	280lm	90°	3000K	>80	No	125 x 125 x 45 mm	Satin Nickel
S9105DL ST/SN	12V DC	4W	280lm	90°	6000K	>80	No	125 x 125 x 45 mm	Satin Nickel