



UNITREK STR9017/10TC - 10W

Unitrek single circuit, dimmable 10 watt architectural track spot, with integral driver and selectable colour temperature

Application

Ideal for decorative interior and retail designs

Design Specifications

- Architectural cylindrical profile
- Aluminium body profile, colour matt white or black
- High efficiency COB LED chip, CRI > 80, selectable colour temperature 3000/4000/5700K
- Multifaceted reflector system, polycarbonate lens, 40 degree beam distribution.
- 10 watt integral trailing edge dimmable driver, with an ON/OFF switch function conveniently located on the track adaptor.



- SINGLE CIRCUIT
- IP20
- ta25
- DIMMABLE
- 2 YEAR COMMERCIAL WARRANTY
- 3 YEAR RESIDENTIAL WARRANTY
- WARM WHITE 3000K
- COOL WHITE 4000K
- DAYLIGHT 5700K

Performance

Dimmable - **YES**
Dimmer Type - **Trailing edge**

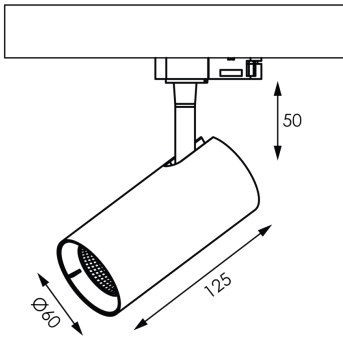
Technical Specification

Model No.	Input Voltage (V/AC)	Power (W)	Lumens (lm)	CCT (K)	Body Colour	CRI
STR9017/10TC/WH	240	10	580/700/630	3000/4000/5700	WHITE	80
STR9017/10TC/BK	240	10	580/700/630	3000/4000/5700	BLACK	80

Model No.	Beam Angle (°)	Dim (mm)
STR9017/10TC/WH	40	60(W) x 125(H)
STR9017/10TC/BK	40	60(W) x 125(H)

Due to continued product and technology enhancements, data sourced from sal.net.au shall not form part of any contract and or technical performance guarantee unless expressly confirmed in writing by SAL at the time of order. Products are sold in accordance with SAL Terms and Conditions of sale and all images shown are for illustration purposes only and may vary from the actual colour or finish. Unless specifically stated, all IP ratings nominated for Interior products are from "below the ceiling".

Dimensions

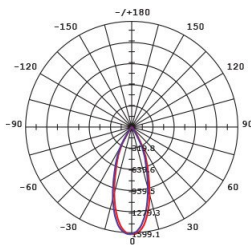


STR9017/10TC

Photometric Data

Unit: cd C0/C180 — C90/C270 —

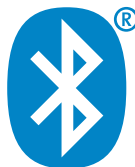
STR9017/9W/WW at 3000K



WHO NEEDS AN OLD TIMER CONTROL.

PIXIE SMART GPO IS SMARTER THAN THE REST.

MULTIFUNCTION
CONTROL



For more
information
please
scan me

