



VINTAGE DECO LST21 - 8W DIM

8 watt Dimmable LED filament Vintage Deco lamp, B22 & E27 base

Application

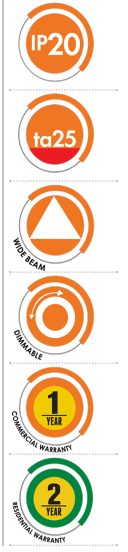
Energy efficient LED lamp solution, ideal for restaurants and residential interiors

Design Specifications

- Glass diffuser for decorative applications
- High efficiency LED filament and colour rendering, CRI>80, choice of CCT 3000K or 5000K
- Integral dimmable LED driver, 240V
- 320° beam distribution
- Double insulation

Performance

Dimmable Driver - **YES**
Dimmer Type - **Trailing edge**



Technical Specification

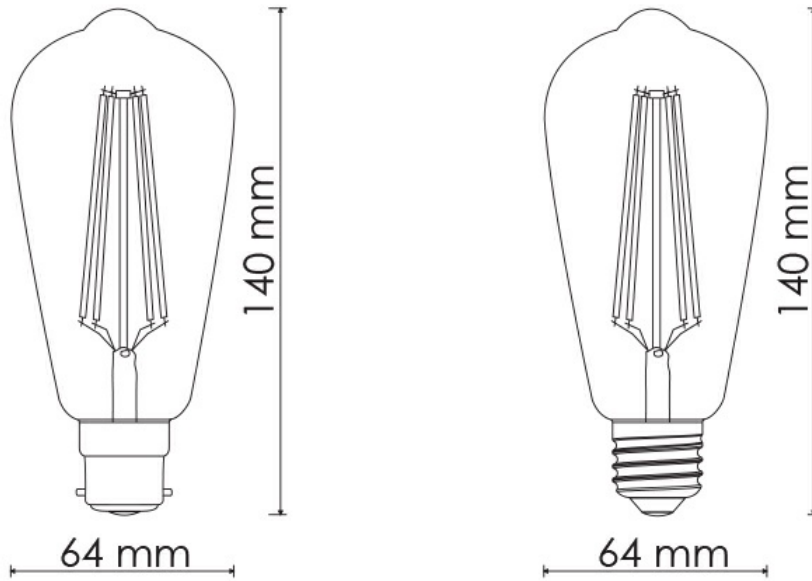
Model No.	Description	Input (V)	Power (W)	Lumens (lm)	CCT (K)	CRI
LST21WWB22D/C	LED DECORATIVE LST21 8W B22 3K DIM	240	8	1050	3000	80
LST21WWE27D/C	LED DECORATIVE LST21 8W E27 3K DIM	240	8	1050	3000	80
LST21NDLB22D/C	LED DECORATIVE LST21 8W B22 5K DIM	240	8	1050	5000	80
LST21NDLE27D/C	LED DECORATIVE LST21 8W E27 5K DIM	240	8	1050	5000	80



Model No.	Base Type	Beam Angle (°)	Dimmable Driver
LST21WWB22D/C	B22	320	YES
LST21WWE27D/C	E27	320	YES
LST21NDLB22D/C	B22	320	YES
LST21NDLE27D/C	E27	320	YES

Due to continued product and technology enhancements, data sourced from sal.net.au shall not form part of any contract and or technical performance guarantee unless expressly confirmed in writing by SAL at the time of order. Products are sold in accordance with SAL Terms and Conditions of sale and all images shown are for illustration purposes only and may vary from the actual colour or finish.

Dimensions





Product Images

