



### Main

Commercial Status	Commercialised
Range of product	Harmony XAP
Product or component type	Empty control station without hinges
Device short name	XAPA
Product front plate size	85 x 226 mm
Usable depth	83 mm
Number of cut-out	Undrilled
Colour of base of enclosure	Grey
Colour of cover	Grey
Material	Glass reinforced polyester
Cable entry	Undrilled
Product mounting	Flush mounting
IP degree of protection	IP657 conforming to NF C 20-010 IP65 conforming to IEC 60529
Resistance to chemical agents	High resistant to sea water High resistant to petrol High resistant to oils and greases High resistant to mineral salts High resistant to diesel High resistant to bases High resistant to all solvents High resistant to acids

### Complementary

Product weight	0.6 kg
Flame retardance	VO conforming to UL 94 M3 conforming to CSTB

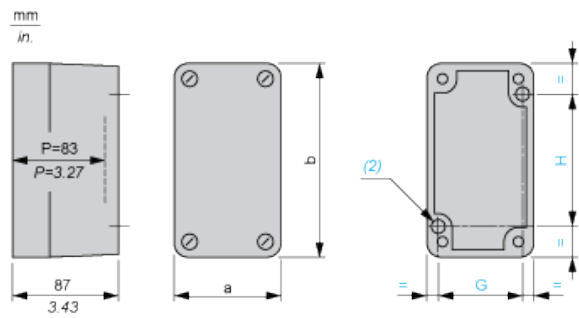
### Environment

Protective treatment	TC TH
Ambient air temperature for storage	-40...70 °C
Ambient air temperature for operation	-25...70 °C
Class of protection against electric shock	Class II conforming to NF C 20-030 Class II conforming to IEC 60536
Fire resistance	960 °C conforming to IEC 92 850 °C conforming to NF C 20-455

### Contractual warranty

Period	18 months
--------	-----------

Dimensions and Fixing



(2) 2 x Ø 5.6 mm/4.94 in. holes, depth 12 mm/0.47 in.  
P Usable depth

a		b		G		H	
mm	in.	mm	in.	mm	in.	mm	in.
85	3.35	226	8.90	70	2.76	180	7.09