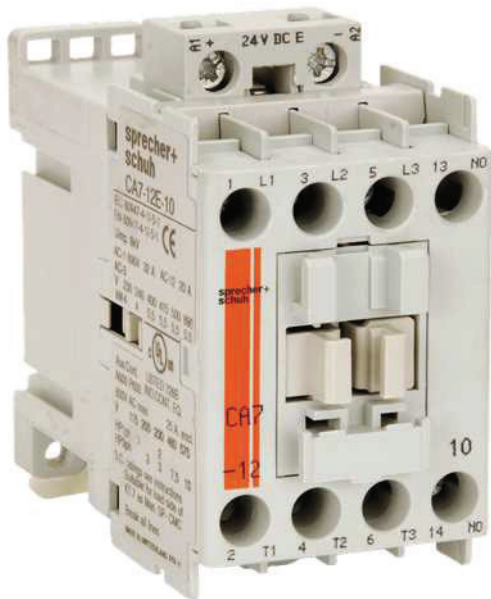


# Catalogue No: CA7-9E-10-110E

## CONTACTOR 4kW 3P 110-125V DC COIL 1N/O AUXILIARY

Motor Control and Drives > Motor Starting and Protection > Contactors > Sprecher + Schuh Contactors > CA7 Contactors > 3 Pole Contactors with DC Coil



Contactor 3 pole 9A 4kW 1N/O Auxiliary 110-125V DC Electronic Coil

- Available in AC or DC control coil versions to suit your application requirements
- Common accessories across CA7 contactors simplifies inventory requirements and maximises usability
- Reversible (line or load side) coil terminations provides total flexibility
- DIN rail mountable for easy installation

Representative Photo Only  
(actual product may vary based on configuration selections)

### SPECIFICATIONS

Component Type Motor Control and Drives	Standard Contactor
Ie, Rated Operational Current, AC-1, 415V, 40°C	32 A @415V, 40°C
kW Rating, AC-3, 415V, 60°C	4 kW @415V, 60°C
Ie, Rated Operational Current, AC-3, 415V, 60°C	9 A @415V, 60°C
kW Rating, AC-3, 690V, 60°C	4 kW @690V, 60°C
Ie, Rated Operational Current, AC-3, 690V, 60°C	5 A @690V, 60°C
Number of Poles	3
Contact Configuration, Main Poles	3 NO main poles
Integrated Aux	1 N/O
Coil Type	Electronic
Coil Voltage	110 V DC V
IP Rating	IP20

### REFERENCES

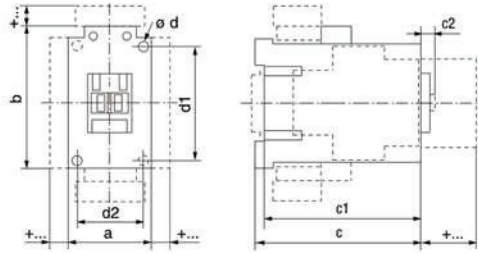
IECEX Certificate	-
Supplier Declaration of Conformity:	-
Installation Guide:	-
User Manual:	-
Manufacturer Datasheet:	-
Manufacturer Catalogue & Product Selection:	-

# Catalogue No: CA7-9E-10-110E

## CONTACTOR 4kW 3P 110-125V DC COIL 1N/O AUXILIARY

Motor Control and Drives > Motor Starting and Protection > Contactors > Sprecher + Schuh Contactors > CA7 Contactors > 3 Pole Contactors with DC Coil

Dimensions are in millimeters (inches). Dimensions not intended for manufacturing purposes.



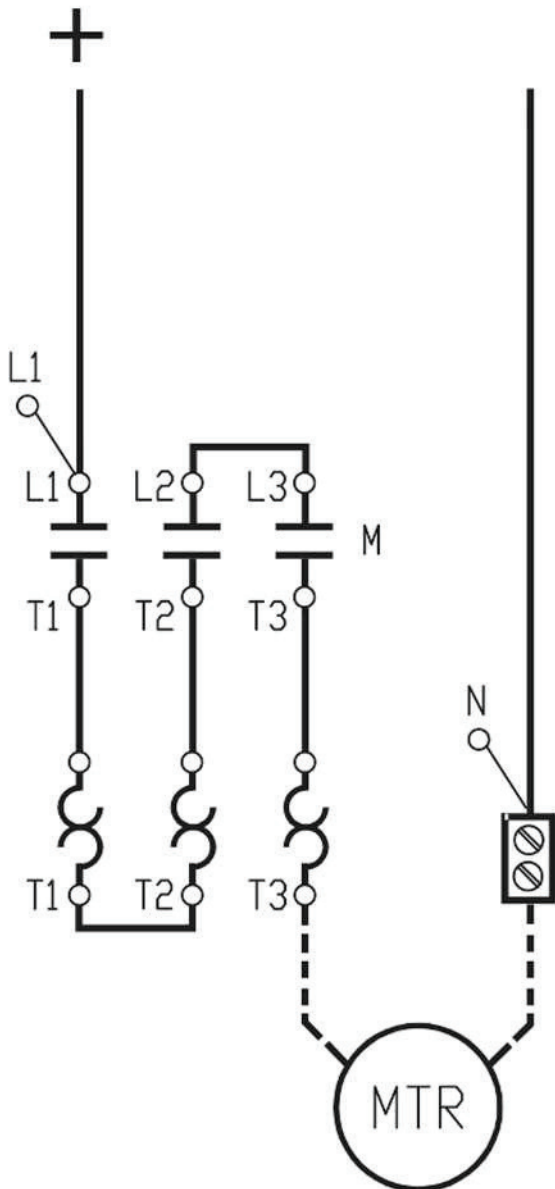
Catalog Number	a	b	c	c1	c2	ed	d1	d2
CA7-9C, CA7-16C, CA7-16C CNX-205C, 206C, CAW7-12C	45 (1-25/32)	81 (3-1/8)	108.5 (4-3/16)	101.5 (4)	6 (1/4)	2-4.5 (2-3/16)	60 (2-3/8)	35 (1-25/64)
CA7-22C CNX-207C, 208C	45 (1-25/32)	81 (3-1/8)	123.5 (4-5/8)	119 (4-45/64)	6 (1/8)	2-4.5 (2-3/16)	60 (2-3/8)	35 (1-25/64)
True DC Contactors CA7-30C, CA7-37C, CA7-37C CNX-209C, CAW7-30C, CAW7-37C	45 (1-25/32)	81 (3-1/8)	141.5 (5-3/8)	136.5 (5-3/8)	6.5 (1/4)	2-4.5 (2-3/16)	60 (2-3/8)	35 (1-25/64)
CA7-40C	59 (2-1/4)	81 (3-1/8)	144.5 (5-11/16)	139.5 (5-1/2)	6.5 (1/4)	2-4.5 (2-3/16)	60 (2-3/8)	45 (1-25/32)
CA7-43C, CNX-212C	54 (2-1/8)	81 (3-1/8)	144.5 (5-11/16)	140 (5-3/8)	6.5 (1/4)	2-4.5 (2-3/16)	60 (2-3/8)	45 (1-25/32)
CA7-6E, CA7-23E	45 (1-25/32)	81 (3-1/8)	80.3 (3-1/8)	75.5 (3-3/8)	6 (1/4)	2-4.5 (2-3/16)	60 (2-3/8)	35 (1-25/64)
Electronic DC Contactors CA7-30E, CA7-37E CA7-40E CA7-43E	45 (1-25/32) 59 (2-1/4) 54 (2-1/8)	81 (3-1/8) 81 (3-1/8) 81 (3-1/8)	97.5 (4) 100.5 (4-7/8) 100.5 (4-7/8)	92.6 (3-49/64) 95.5 (3-49/64) 95.5 (3-49/64)	6.5 (1/4) 6.5 (1/4) 6.5 (1/4)	2-4.5 (2-3/16) 2-4.5 (2-3/16) 2-4.5 (2-3/16)	60 (2-3/8) 60 (2-3/8) 60 (2-3/8)	35 (1-25/64) 45 (1-25/32) 45 (1-25/32)

### Reversing Contactors, Capacitor Contactors & Accessories (+...)

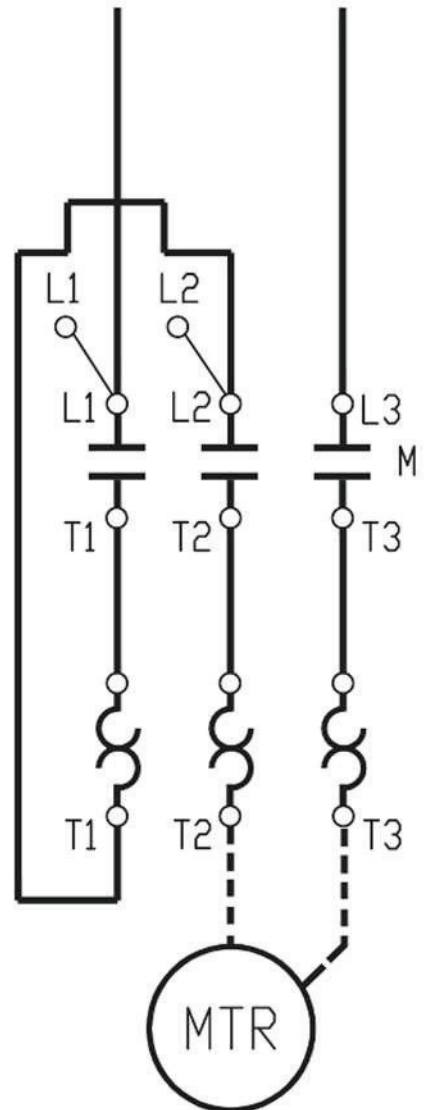
Contactors with...	Dim. [mm]	Dim. [inches]
auxiliary contact block-front mounting	c1 + 39	c1 + 1-37/64
auxiliary contact block- left side mounting	a + 9	a + 23/64
pneumatic timing module	c1 + 58	c1 + 2-23/64
electronic timing module	b + 24	b + 15/16
mechanical latch	c1 + 61	c1 + 61
interface module	b + 9	c1 + 2-31/64
Labeling with...		
label sheet	+0	+0
marking tag sheet with clear cover	+0	+0
marking tag adapter for V7 terminals	+5.5	+1/32

Dimension Diagram

## OPTION A



## OPTION B



Connection / Wiring Diagram