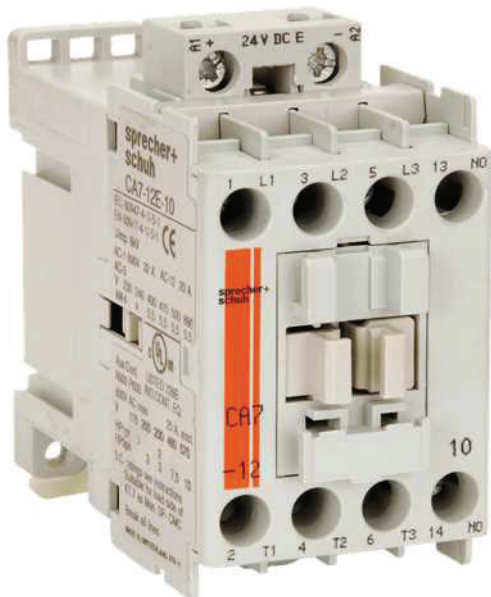


Catalogue No: CA7-9E-10-24VDC

CONTACTOR 4kW 3P 24V DC COIL 1N/O AUXILIARY

Motor Control and Drives > Motor Starting and Protection > Contactors > Sprecher + Schuh Contactors > CA7 Contactors > 3 Pole Contactors with DC Coil



Contactors 3 pole 9A 4kW 1N/O Auxiliary 24V DC Coil

- Available in AC or DC control coil versions to suit your application requirements
- Common accessories across CA7 contactors simplifies inventory requirements and maximises usability
- Reversible (line or load side) coil terminations provides total flexibility
- DIN rail mountable for easy installation

Representative Photo Only
(actual product may vary based on configuration selections)

SPECIFICATIONS

Component Type Motor Control and Drives	Standard Contactor
Ie, Rated Operational Current, AC-1, 415V, 40°C	32 A @415V, 40°C
kW Rating, AC-3, 415V, 60°C	4 kW @415V, 60°C
Ie, Rated Operational Current, AC-3, 415V, 60°C	9 A @415V, 60°C
kW Rating, AC-3, 690V, 60°C	4 kW @690V, 60°C
Ie, Rated Operational Current, AC-3, 690V, 60°C	5 A @690V, 60°C
Number of Poles	3
Contact Configuration, Main Poles	3 NO main poles
Contact Configuration, Auxiliary	1 NO auxiliary
Integrated Aux	1 N/O
Coil Type	Electronic
Coil Voltage	24 V DC V
IP Rating	IP20

REFERENCES

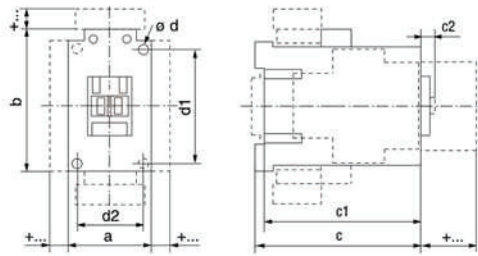
IECEX Certificate	-
Supplier Declaration of Conformity:	-
Installation Guide:	-
User Manual:	-
Manufacturer Datasheet:	-
Manufacturer Catalogue & Product Selection:	-

Catalogue No: **CA7-9E-10-24VDC**
CONTACTOR 4kW 3P 24V DC COIL 1N/O AUXILIARY

Motor Control and Drives > Motor Starting and Protection > Contactors > Sprecher + Schuh Contactors > CA7
 Contactors > 3 Pole Contactors with DC Coil



Dimensions are in millimeters (inches). Dimensions not intended for manufacturing purposes.



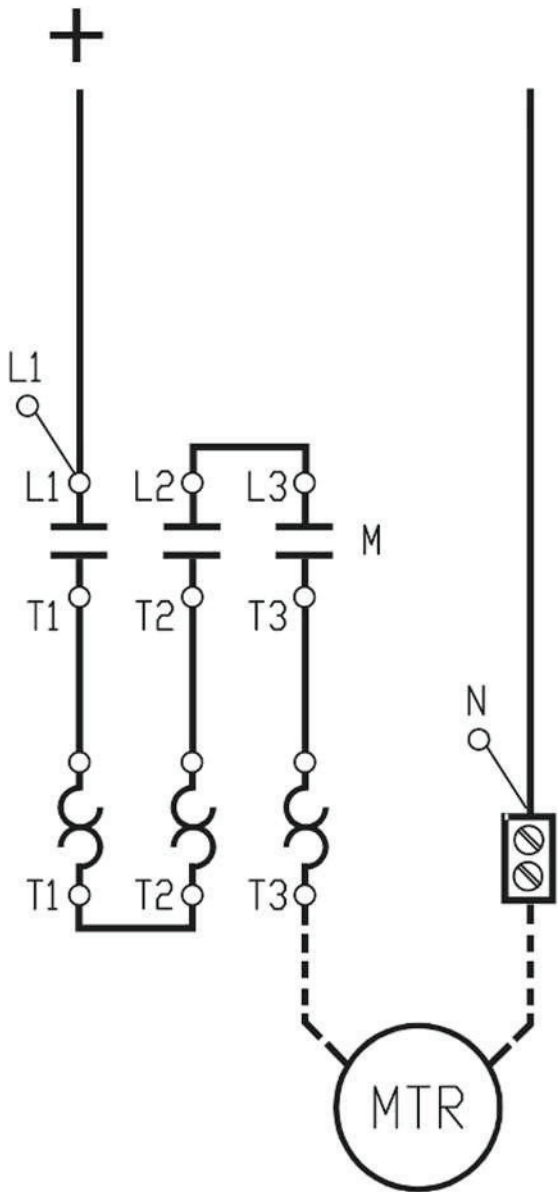
Catalog Number	a	b	c	c1	c2	ed	d1	d2
CA7-9C, CA7-16C, CA07-16C	45	81	108.5	101.5	6	2-4.5	60	35
CNX-205C, 206C, CAW7-12C	(1-25/32)	(3-3/16)	(4-3/16)	(4)	(1/4)	(2-3/16)	(2-23/64)	(1-25/64)
CA7-22C	45	81	123.5	119	6	2-4.5	60	35
CNX-207C, 208C	(1-25/32)	(3-3/16)	(4-55/64)	(4-49/64)	(1/4)	(2-3/16)	(2-23/64)	(1-25/64)
True DC Contactors								
CA7-30C, CA7-37C, CA07-37C	45	81	141.5	136.5	6.5	2-4.5	60	35
CNX-209C, CAW7-30C, CAW7-37C	(1-25/32)	(3-3/16)	(5-35/64)	(5-3/8)	(17/64)	(2-3/16)	(2-23/64)	(1-25/64)
CA7-40C	59	81	144.5	139.5	6.5	2-4.5	60	45
	(2-1/16)	(3-3/16)	(5-11/16)	(5-1/2)	(17/64)	(2-3/16)	(2-23/64)	(1-25/32)
CA7-43C, CNX-212C	54	81	144.5	140	6.5	2-4.5	60	45
	(2-1/8)	(3-3/16)	(5-11/16)	(5-39/64)	(17/64)	(2-3/16)	(2-23/64)	(1-25/32)
CA7-6E, CA7-23E	45	81	80.3	75.5	6	2-4.5	60	35
	(1-25/32)	(3-3/16)	(3-11/16)	(3-3/22)	(1/4)	(2-3/16)	(2-23/64)	(1-25/64)
Electronic DC Contactors								
CA7-30E, CA7-37E	45	81	97.5	92.6	6.5	2-4.5	60	35
	(1-25/32)	(3-3/16)	(4)	(3-49/64)	(17/64)	(2-3/16)	(2-23/64)	(1-25/64)
CA7-40E	59	81	100.5	95.5	6.5	2-4.5	60	45
	(2-1/16)	(3-3/16)	(4-7/16)	(3-49/64)	(17/64)	(2-3/16)	(2-23/64)	(1-25/32)
CA7-43E	54	81	100.5	95.5	6.5	2-4.5	60	45
	(2-1/8)	(3-3/16)	(4-7/16)	(3-49/64)	(17/64)	(2-3/16)	(2-23/64)	(1-25/32)

Reversing Contactors, Capacitor Contactors & Accessories (+...)

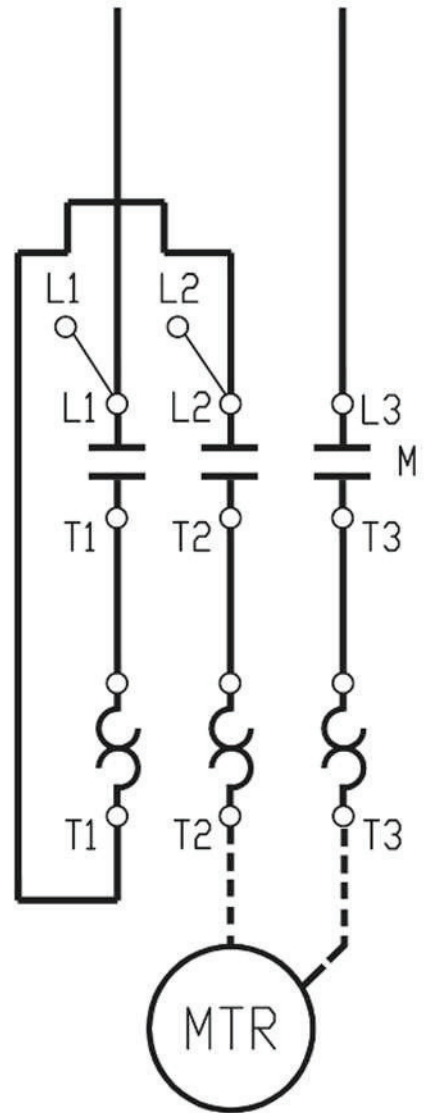
Contactors with...	Dim. [mm]	Dim. [inches]	
auxiliary contact block-front mounting	2-, or 4-pole	c1c1 + 39	c1c1 + 1-37/64
auxiliary contact block- left side mounting	1-, or 2 pole	a + 9	a + 23/64
pneumatic timing module		c1c1 + 58	c1c1 + 2-23/64
electronic timing module	on coil terminal side	b + 24	b + 15/16
mechanical latch		c1c1 + 61	c1c1 + 61
interface module	on coil terminal side	b + 9	c1c1 + 2-31/64
Labeling with...			
label sheet	+0	+0	
marking tag sheet with clear cover	+0	+0	
marking tag adapter for V7 terminals	+5.5	+1/32	

Dimension Diagram

OPTION A



OPTION B



Connection / Wiring Diagram