

# Catalogue No: **D7-X01B**

## CONTACT BLOCK SCREW 1N/C EARLY BREAK

Operator Control Devices > Pushbuttons and Control Switches > Pushbuttons and Pilot Lights > Sprecher + Schuh D7 Pushbuttons and Pilot Lights > D7 Contact Blocks and Coupling Plates > Standard Panel Mount Contact Blocks



Representative Photo Only  
(actual product may vary based on configuration selections)

### Contact block screw terminals early break 1N/C

- D7 pilot devices offer maximum flexibility and a wide choice for all 22.5mm operator applications with all type (e-stops, selector switches, pushbuttons, pilot lights and more), colour and contact configurations.
- Aesthetically appealing and modularly designed to make assembly and interchangeability easy.
- Operators exhibit low profile and stylish appearance while maintaining the rugged performance necessary for demanding environments
- D7P is a plastic operator with a captive black plastic front bezel. Constructed of high-grade thermoplastics, the D7P is suitable for almost all environments and strong chemical resistance.
- D7M has a die-cast zinc housing and mounting ring for rugged durability. Finished with corrosion resistant chrome plating, the D7M also features a captive shiny metal bezel for a polished appearance.

### SPECIFICATIONS

Component Type Pushbutton and Pilot Lights	Contact Block
Contact Configuration	1 NCEB
Self Monitoring	No Y / N
Ie, Rated Operational Current, AC 15, 110-120V AC	6 A
Ie, Rated Operational Current, AC 15, 240V AC	3 A
Ie, Rated Operational Current, DC 13, 125V DC	0.55 A
Mounting	Panel Mount
Ui, Rated Insulation Voltage	680 V (rms)
Compatible Product Series	D7 22.5mm Control & Indication compatible
Coupling Plate Included	No
Material, Contacts	Silver Nickel (AgNi) material
Colour, Contact Actuator	Brown
Terminal Type	Screw Terminal(s)
Material, Terminal	Brass
Material, Spring	Zinc-Plated Stainless Steel
Operating Force	3.4 N
Wire / Conductor Size (Min)	0.75 mm <sup>2</sup>
Wire / Conductor Size (Max)	2.5 mm <sup>2</sup>
Dielectric Strength	2.5kV for 1 minute
Electrical Service Life at Un, In	500000 cycles
Mechanical service life	10000000 cycles
RoHS Approved	Yes
CE Marked	Yes
Relative humidity, min	50 %RH
Relative humidity, max	95 %RH
IP Rating	IP66 IP65

# Catalogue No: **D7-X01B**

## CONTACT BLOCK SCREW 1N/C EARLY BREAK

Operator Control Devices > Pushbuttons and Control Switches > Pushbuttons and Pilot Lights > Sprecher + Schuh D7  
Pushbuttons and Pilot Lights > D7 Contact Blocks and Coupling Plates > Standard Panel Mount Contact Blocks



Shock Acceleration (Max.)	100 g
Shock Duration (Max.)	11 ms
Vibration Acceleration (Max.)	10 g
Vibration Displacement (Peak to Peak Max.)	1.52 mm
Vibration Frequency, Operational (Max.)	2000 Hz
Vibration Duration (Max.)	180 min
Standards Compliance	NEMA ICS-5 UL 508 EN 60947-1 EN 60947-5-1 EN 60947-5-5 EN 418
Certifications	UL UR CSA CCC CE
Shipping Approvals	RINA (Registro Italiano Navale) ABS (American Bureau of Shipping) Lloyd's Register of Shipping

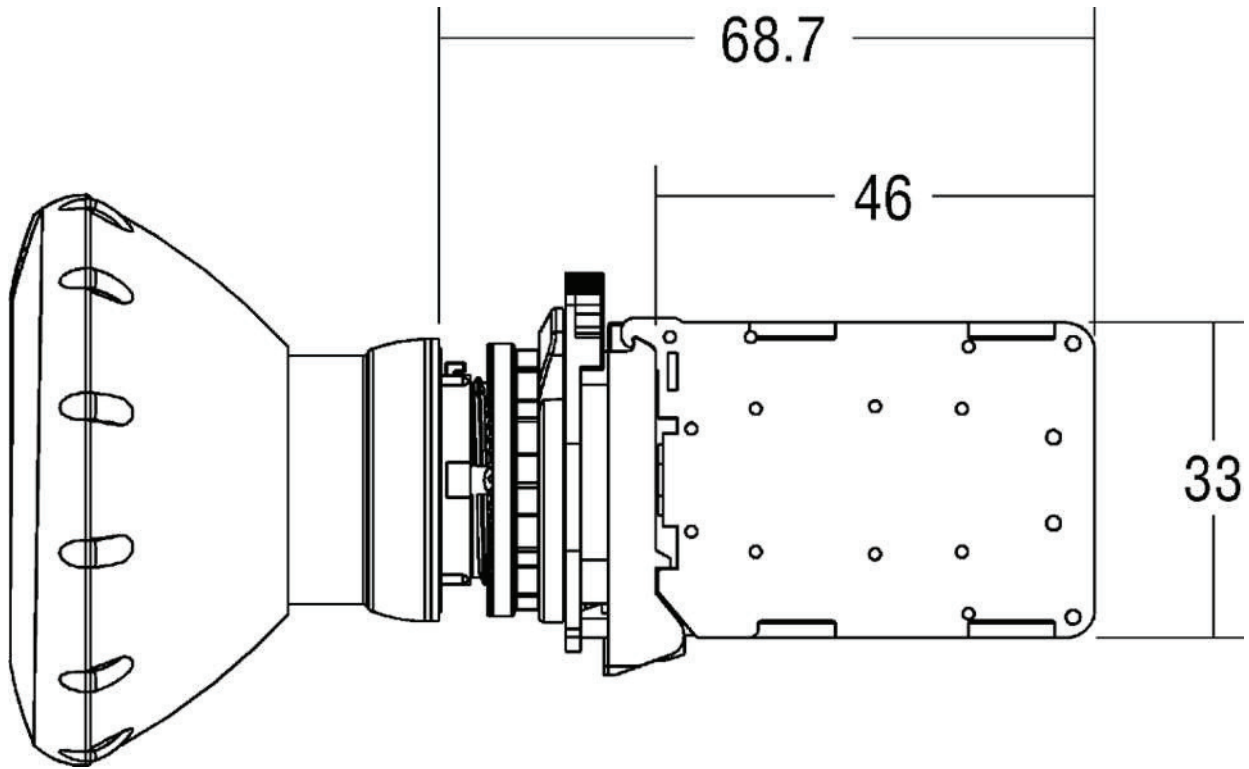
### REFERENCES

IECEX Certificate	-
Supplier Declaration of Conformity:	-
Installation Guide:	-
User Manual:	-
Manufacturer Datasheet:	<a href="#">Series D7_Manufacturer Datasheet</a>
Manufacturer Catalogue & Product Selection:	-

Catalogue No: **D7-X01B**

**CONTACT BLOCK SCREW 1N/C EARLY BREAK**

Operator Control Devices > Pushbuttons and Control Switches > Pushbuttons and Pilot Lights > Sprecher + Schuh D7  
Pushbuttons and Pilot Lights > D7 Contact Blocks and Coupling Plates > Standard Panel Mount Contact Blocks



Dimension Diagram