

Luna

THORN

96294148 LUNA 12-18W 830/840/857 SEL WH DIM

LED 18W LED_LUNA12_3K	AS/NZS 60598	IP54		
------------------------------	--------------	------	---	---

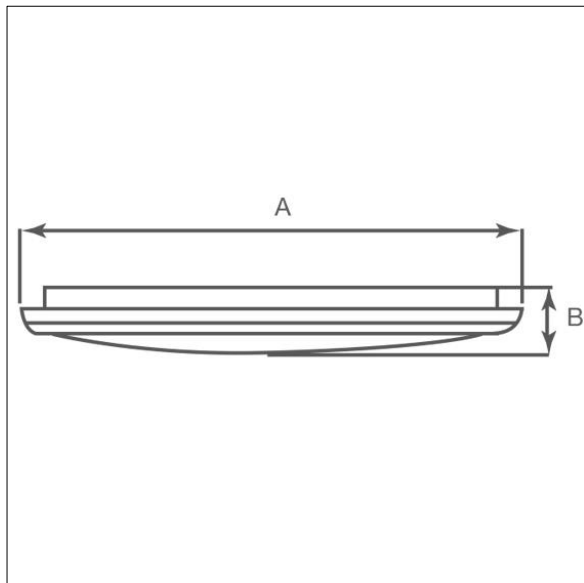
Luna

An ultra slim, round wall or ceiling LED luminaire.
Electronic, phase-cut dimmable control gear. Body: white moulded polycarbonate. Diffuser: opal polycarbonate.
Class II electrical, IP54. Supplied with quick mounting bracket. Complete with CCT switch for 3000K, 4000K or 5700K at time of installation.

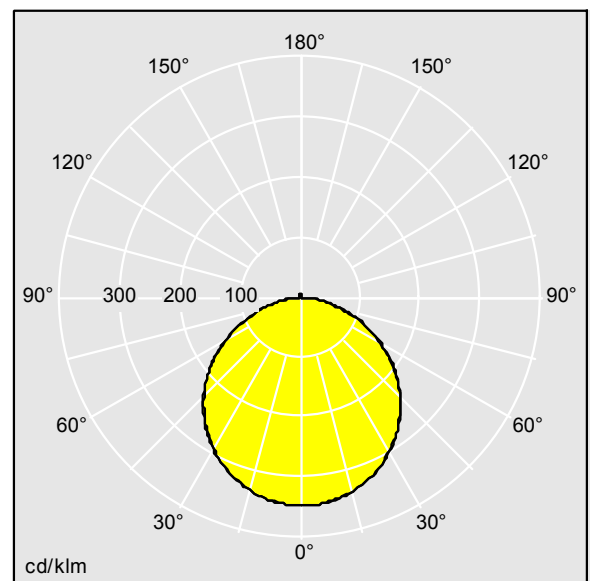
Dimensions: Ø300 x 40 mm
Luminaire input power: 18 W
Weight: 1 kg



TLZ_LUNA_F_01.jpg



TLZ_LUNA_M_LD1.wmf



96294148_3K.ltd

Lamp position: 3000K
Light Source: LED
Luminaire luminous flux*: 1700 lm
Luminaire efficacy*: 94 lm/W
Lamp efficacy: 94 lm/W
Colour Rendering Index min.: 80

Rated median useful life*:
L70 40000h at 25°C
Ballast: 1x HF_
Luminaire input power*: 18 W
Dimming: PCDCG
Maintenance category: E - Dust-proof IP5X
LOR: 1,00 ULOR: 0,02 DLOR: 0,98

All values marked with an * are rated values. Thorn uses tried and tested components from leading suppliers, however there may be isolated instances of technology-related failures of individual LEDs during the rated product lifetime. International standards set the tolerance in initial flux and connected load at $\pm 10\%$. Unless stated otherwise, the values apply to an ambient temperature of 25°C.

In most products the failure of one LED point causes no functional impairment to the lighting performance of the luminaire and is therefore no reason for complaint. Unless otherwise stated all Thorn LED products are suitable for unrestricted use (rated RG1) with regard photobiological blue light safety (IEC/EN60598-1).

Thorn Lighting is constantly developing and improving its products. The right is reserved to change specifications without prior notification or public announcement.
© Thorn Lighting