



# Solstice

2000W INFRARED OUTDOOR HEATER WITH REMOTE CONTROL

- High efficiency radiant heat for instant warming effect
- Sleek infinity glass design
- Premium ceramic glass panel for maximum heat transfer and safety
- Wall or Ceiling mount compatible
- Remote control with three heat settings and timer included
- IP55 weather rating for added protection
- Ideal for covered outdoor areas
- Advanced reflector design for expansive heating footprint



# Solstice



## 2000W INFRARED OUTDOOR HEATER WITH REMOTE CONTROL

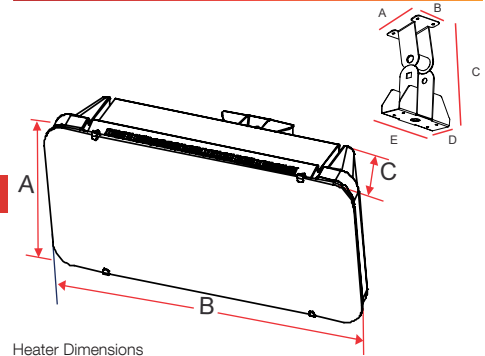
High efficiency radiant heater with an IP55 weather rating, sleek infinity glass design and 3 remote-controlled heat settings.



### DIMENSIONS

Mounting Bracket Dimensions

A	B	C	D	E
73 mm	54 mm	165 mm	40 mm	120 mm



Heater Dimensions

A	B	C	C (with bracket)
224 mm	542 mm	126 mm	291 mm

### HEAT

**Heating Element:** Halogen  
**Wattage:** High: 2000W  
 Med: 1600W  
 Low: 1200W

### UNIT

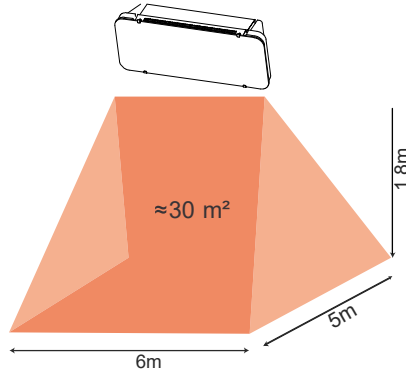
**Weight:** 4.04 kg  
**IP Rating:** IP55  
**Body Material:** Glass, Metal and PP Plastic

### INSTALLATION

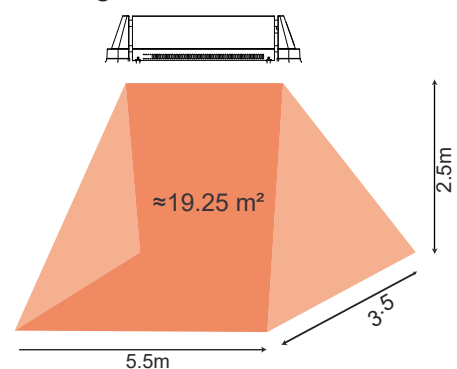
**Suitable for:** Covered outdoor use  
**Mount:** Ceiling and wall  
**Power Input:** 220-240V~50Hz  
**Installation:** Plug and Lead

### HEATING AREA\*

**Wall Mount** ≈ 30-39.2 m<sup>2</sup>



**Ceiling Mount** ≈ 15-19.25 m<sup>2</sup>



\* Heating area may vary according to install height and position (wall or ceiling). Diagrams not to scale.

### INCLUDES

- 1 x Heater
- 1 x Mounting Bracket
- 1 x Remote Control and Cradle
- 1 x Instruction Manual
- 1 x Warranty Card

### SHIPPING

**Carton Size:** 612 x 198 x 278mm (LWH)  
**Carton Qty:** 1 Piece  
**Gross Weight:** 5.14 Kg  
**Pallet Qty:** 56 Units



**ventair**<sup>tm</sup>  
 THE AIR MOVEMENT SPECIALISTS

4 Capital Place, Carrum Downs,  
 VIC, 3201, Australia

T: 03 9775 0556

E: sales@ventair.com.au

www.ventair.com.au |

Model

Outer Carton

EAN13 Barcode

SOL2000

N/A

