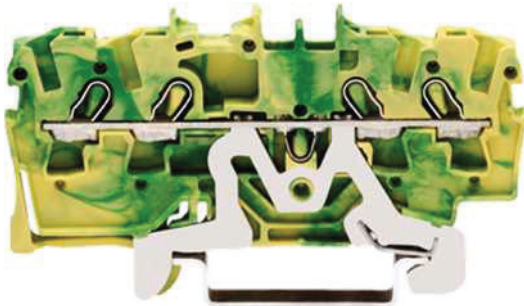




2.5mm Terminal Earth 4 Conductor

Stripped solid conductors, stranded conductors with ferruls or ultrasonically "bonded" conductors are easily connected by simply pushing the wire into the wire entry. Utilising only a screwdriver to open the clamp, this represents a significant time and cost saving. For conductors between 0.5mm² and 16mm², 2, 3, 4 conductor terminal blocks, Double deck and triple terminal blocks plus fuse and disconnect terminals.



Representative Photo Only
(actual product may vary based on configuration selections)

SPECIFICATIONS

Component Type Termination Wiring	Terminal
Number of Conductors	4
Number of Potentials	1
Connection / Termination	Cage Clamp Terminal(s)
Material, Body / Housing	Nylon / PA6 / PA66 (Polyamide 6) material
Colour, Body / Housing	Green & Yellow (Earth) colour
Flammability Rating (UL94)	UL 94 V-0
Conductor Entry Position	Front
Conductor Entry Angle	Horizontal
Wire / Conductor Size, Rigid Cable, Min	0.25 mm ²
Wire / Conductor Size, Rigid Cable, Max	4 mm ²
Wire / Conductor Size, Flex Cable, Min	0.25 mm ²
Wire / Conductor Size, Flex Cable, Max	4 mm ²
Wire Strip Length, Min	10 mm
Wire Strip Length, Max	12 mm
Marking Position	Centre & Side
Fire Load	0.118 MJ
Mounting	DIN-35 Rail Mount
Ex i Suitable	No
IECEX Certified	Yes
Marking 1	Ex e IIC Gb
Marking 2	Ex e I Mb
Protection Method(s) - Underground	Increased Safety "e"
Protection Method(s) - Gas	Increased Safety "e"
Certificate Number	IECEX PTB 03.0004U
Certificate URL	http://iecex.iec.ch/iecex/IECEXWeb.nsf/CoCHistory/IECEX%20PTB%2003.00044
Height	70 mm

Catalogue No: **2002-1407**

SCREWLESS TERMINAL 2.5mm 4 CONDUCTOR 24A EARTH GREEN/YELLOW

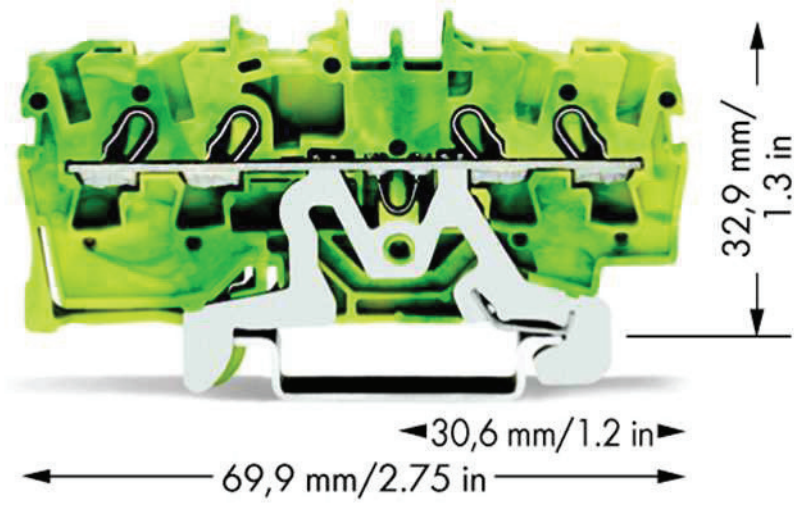
Termination and Wiring Systems > Terminals and Pre-Wired Cables > Terminals - Screwless > WAGO Screwless Terminals > Series 2002 - 2.5mm² TOPJOB S Terminals > Series 2002 - Through Terminals



Width	5.2 mm
Depth	32.9 mm
Weight	0.0101 kg
Certifications	CCA CSA GOST-R KEMA PTB RoHS UL
Shipping Approvals	ABS (American Bureau of Shipping) DNV-GL (Det Norske Veritas Germanischer Lloyd) Lloyd's Register of Shipping PRS (Polish Register of Shipping)

REFERENCES

IECEX Certificate	IECEX PTB 03.0004U
Supplier Declaration of Conformity:	-
Installation Guide:	-
User Manual:	-
Manufacturer Datasheet:	-
Manufacturer Catalogue & Product Selection:	20021407_Manufacturer Catalogue



Dimension Diagram



Catalogue No: **2002-1407**

SCREWLESS TERMINAL 2.5mm 4 CONDUCTOR 24A EARTH GREEN/YELLOW

Termination and Wiring Systems > Terminals and Pre-Wired Cables > Terminals - Screwless > WAGO Screwless Terminals > Series 2002 - 2.5mm² TOPJOB S Terminals > Series 2002 - Through Terminals



Connection / Wiring Diagram