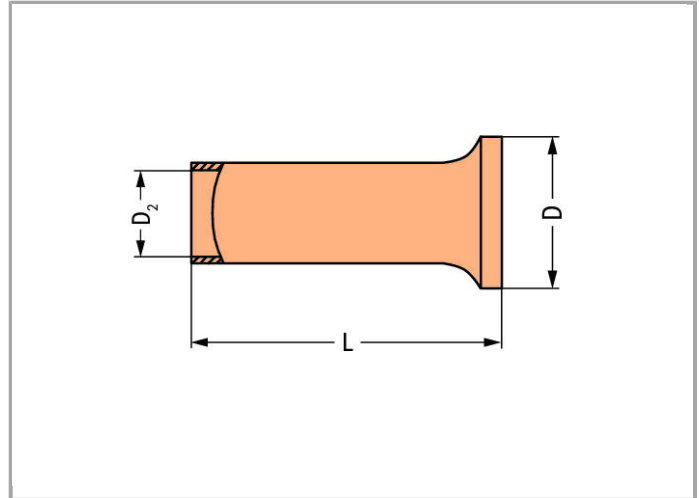
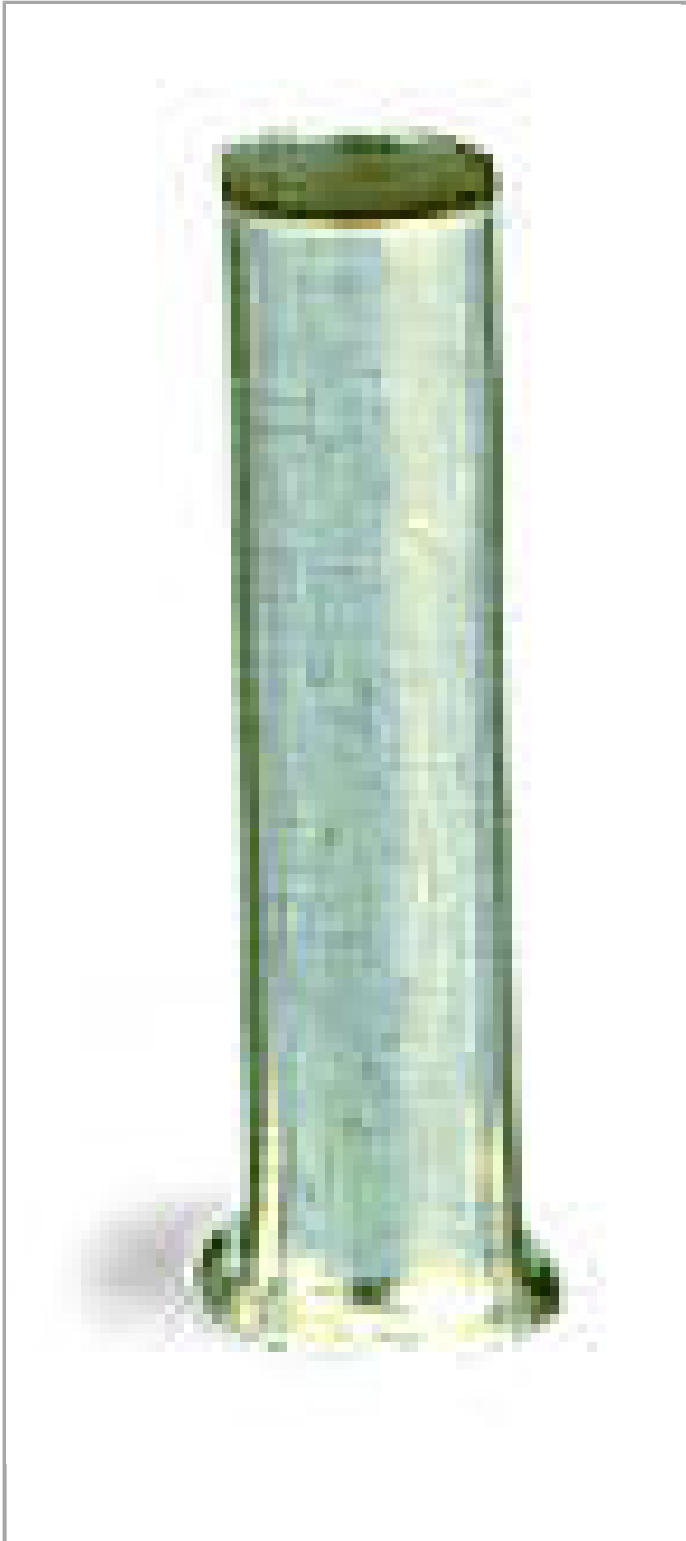


Data sheet | Item number: 216-104

Ferrule; Sleeve for 1.5 mm² / AWG 16; uninsulated; electro-tin plated

www.wago.com/216-104





Data

Technical Data

Main product function	Ferrule
Sleeve cross-section (AWG)	16 AWG
Sleeve for	1.5 mm ²

Connection data

Strip length	8 mm / 0.31 Inch
--------------	------------------

Geometrical Data

Length	8 mm
Diameter	2.8 mm
Diameter 2	1.7 mm

Material Data

Weight	0.065 g
--------	---------

Commercial data

Country of origin	DE
GTIN	4017332277679
Product Group	2 (Terminal Block Accessories)

Downloads

Documentation

Bid Text

216-104	10-Oct-2017	DOC 24.6 kB	Download
---------	-------------	----------------	----------



Subject to changes.

WAGO Kontakttechnik GmbH & Co. KG
Hansastr. 27
32423 Minden
Phone: +49571 887-0 | Fax: +49571 887-169
Email: info.de@wago.com | Web: www.wago.com

Do you have any questions about our products?
We are always happy to take your call at +61 (0)3 8791 6300.