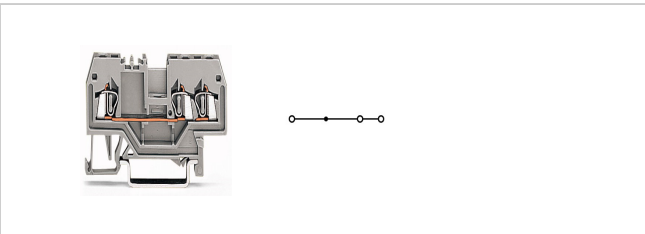
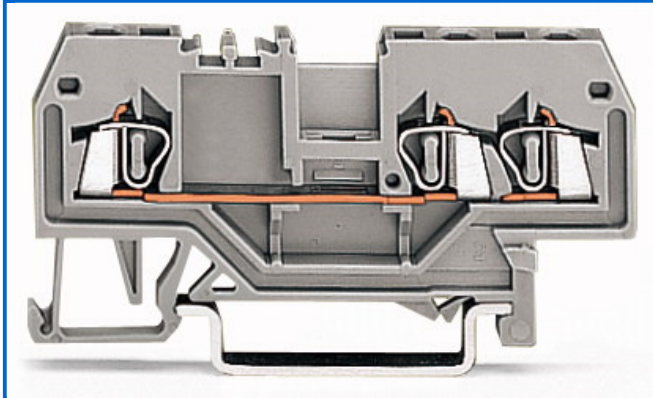




Item (Detail view)

**3-conductor through terminal block; suitable for Ex i applications**

Item no.	279-684  	GTIN / EAN	4044918650526
Content	1 piece	Order unit	piece
Order quantity	<input type="text" value="100"/> piece	Increase in order quantity	(100, 200, 300, 400, ...)
Customer item no.		Customs Tariff no.	85369010000
Customs duty for the country of origin	DE	Available	-
List price	On request	Net price	On request
Availability	On request		

Note: Some items may not be available from your local WAGO company.

Please note that the quantities ordered in the shopping cart are rounded up to the PU (SPU).

RoHS 
Compliant

[Articledetails](#)[Approbations](#)[Downloads](#)[Accessories](#)

3-conductor through terminal block; suitable for Ex i applications

Description 3-conductor through terminal block; suitable for Ex i applications
Remarks

Item properties

Miscellaneous

Name	Value	Unit
Total number of connection points	3	
Total number of potentials	1	
Color	blue	
Ratings according to 1	IEC/EN 60947-7-1	
Pollution degree (1)	3	
Rated voltage EN (1) [V]	800	V
Rated surge voltage (1) [kV]	8	kV
Nominal current [A]	18	A
Connection technology (1)	CAGE CLAMP®	
Solid sizes 1	0.08 ... 1.5 mm ² / 28 ... 16 AWG	
Fine-stranded wires 1	0.08 ... 1.5 mm ² / 28 ... 16 AWG	
Strip length 1	8 ... 9 mm / 0.31 ... 0.35 in	
Type of wiring	Front-entry wiring	
Design	horizontal	
Marking level	Center marking	
Insulating material	PA 6.6 V0	

3-conductor through terminal block; suitable for Ex i applications

Fire load [MJ]	0.104	MJ
Weight [g]	5.378	g
Width	4 mm / 0.157	in
Height from upper-edge of DIN-rail	27 mm / 1.063	in
Length	62.5 mm / 2.461	in
Type of mounting	DIN 35 rail	

[Upwards](#)