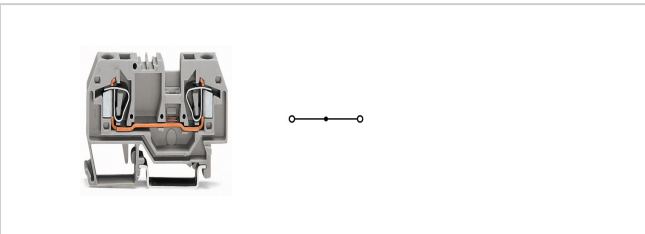
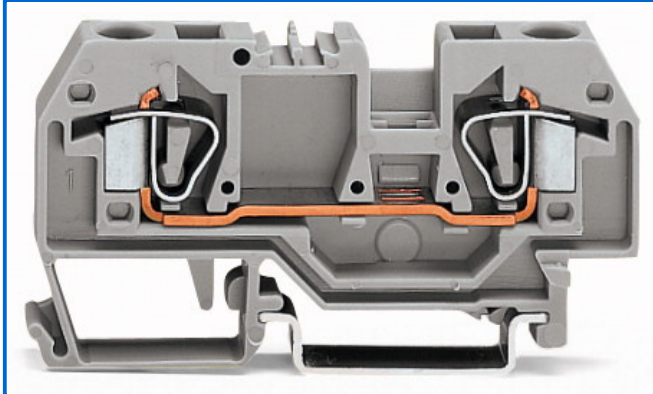


Item (Detail view)

**2-conductor through terminal block; suitable for Ex i applications**

Item no.	282-904	GTIN / EAN	4044918445887
Content	1 piece	Order unit	piece
Order quantity	<input type="text" value="50"/> piece	Increase in order quantity	(50, 100, 150, 200, ...)
Customer item no.		Customs Tariff no.	85369010000
Customs duty for the country of origin	DE	Available	-
List price	On request	Net price	On request
Availability	On request		

Note: Some items may not be available from your local WAGO company.

Please note that the quantities ordered in the shopping cart are rounded up to the PU (SPU).

RoHS
Compliant

[Articledetails](#)[Approbations](#)[Downloads](#)[Accessories](#)

2-conductor through terminal block; suitable for Ex i applications

Description 2-conductor through terminal block; suitable for Ex i applications
Remarks

Item properties

Miscellaneous

Name	Value	Unit
Total number of connection points	2	
Total number of potentials	1	
Color	blue	
Ratings according to 1	IEC/EN 60947-7-1	
Pollution degree (1)	3	
Rated voltage EN (1) [V]	800	V
Rated surge voltage (1) [kV]	8	kV
Nominal current [A]	41	A
Connection technology (1)	CAGE CLAMP®	
Solid sizes 1	0.2 ... 6 mm ² / 24 ... 10 AWG	
Fine-stranded wires 1	0.2 ... 6 mm ² / 24 ... 10 AWG	
Strip length 1	12 ... 13 mm / 0.47 ... 0.51 in	
Type of wiring	Front-entry wiring	
Design	horizontal	
Marking level	Center marking	
Insulating material	PA 6.6 V0	
Fire load [MJ]	0.267	MJ
Weight [g]	15.816	g

2-conductor through terminal block; suitable for Ex i applications

Width	8 mm / 0.315 in
Height from upper-edge of DIN-rail	32.5 mm / 1.28 in
Length	74.5 mm / 2.933 in
Type of mounting	DIN 35 rail

[Upwards](#)